

THERMAFLO SSR STAINLESS STEEL SIMPLEX & DUPLEX TANK/PUMP

TANK SIZE	EDR	GPM	PSIG	HP	SIMPLEX MODEL NUMBER THREE PHASE	SIMPLEX MODEL NUMBER SINGLE PHASE	DUPLEX MODEL NUMBER THREE PHASE	DUPLEX MODEL NUMBER SINGLE PHASE
12	6000	6	15	1/3	12150503C4AB3S	12150303C4AB1S	12150503C4AB3D	12150303C4AB1D
			20	1/3	12200503C4AB3S	12200303C4AB1S	12200503C4AB3D	12200303C4AB1D
			25	1/2	12250505C5AB3S	12250505C5AB1S	12250505C5AB3D	12250505C5AB1D
			30	3/4	12300707C5AB3S	12300707C5AB1S	12300707C5AB3D	12300707C5AB1D
			40	1 1/2	12401515C6AB3S	12401515C6AB1S	12401515C6AB3D	12401515C6AB1D
	50	1 1/2	12501515C6AB3S	12501515C6AB1S	12501515C6AB3D	12501515C6AB1D		
	9000	9	15	1/3	12150503C4AB3S	12150303C4AB1S	12150503C4AB3D	12150303C4AB1D
			20	1/3	12200503C4AB3S	12200303C4AB1S	12200503C4AB3D	12200303C4AB1D
			25	3/4	12250707C5AB3S	12250707C5AB1S	12250707C5AB3D	12250707C5AB1D
			30	3/4	12300707C5AB3S	12300707C5AB3S	12300707C5AB3D	12300707C5AB1D
			40	1 1/2	12401515C6AB3S	12401515C6AB1S	12401515C6AB3D	12401515C6AB1D
	50	1 1/2	12501515C6AB3S	12501515C6AB1S	12501515C6AB3D	12501515C6AB1D		
	12000	12	15	1/3	12150503C4AB3S	12150303C4AB1S	12150503C4AB3D	12150303C4AB1D
			20	1/3	12200503C4AB3S	12200303C4AB1S	12200503C4AB3D	12200303C4AB1D
			25	3/4	12250707C5AB3S	12250707C5AB1S	12250707C5AB3D	12250707C5AB1D
30			3/4	12300707C5AB3S	12300707C5AB1S	12300707C5AB3D	12300707C5AB1D	
40			1 1/2	12401515C6AB3S	12401515C6AB1S	12401515C6AB3D	12401515C6AB1D	
50	1 1/2	12501515C6AB3S	12501515C6AB1S	12501515C6AB3D	12501515C6AB1D			
25	15000	15	15	1/3	25150503C4AB3S	25150503C4AB1S	25150503C4AB3D	25150503C4AB1D
			20	1/3	25200503C4BC3S	25200503C4BC1S	25200503C4BC3D	25200503C4BC1D
			25	1	25251010C5AB3S	25251010C5AB1S	25251010C5AB3D	25251010C5AB1D
			30	1	25301010C5AB3S	25301010C5AB1S	25301010C5AB3D	25301010C5AB1D
			40	1 1/2	25401515C6AB3S	25401515C6AB1S	25401515C6AB3D	25401515C6AB1D
	50	2	25502020C6BC3S	25502020C6BC1S	25502020C6BC3D	25502020C6BC1D		
	22000	22	15	1/3	25150503C4BC3S	25150503C4BC1S	25150503C4BC3D	25150503C4BC1D
			20	1/2	25200505C4AB3S	25200505C4AB1S	25200505C4AB3D	25200505C4AB1D
			25	1	25251010C5BC3S	25251010C5BC1S	25251010C5BC3D	25251010C5BC1D
			30	1	25301010C5CD3S	25301010C5CD1S	25301010C5CD3D	25301010C5CD1D
40			2	25401515C6BC3S	25401515C6BC1S	25401515C6BC3D	25401515C6BC1D	
50	3	25503030C6CD3S	--	25503030C6CD3D	--			
45	30000	30	15	1/2	45150505C4BC3S	45150505C4BC1S	45150505C4BC3D	45150505C4BC1D
			20	1/2	45200505C4BC3S	45200505C4BC1S	45200505C4BC3D	45200505C4BC1D
			25	1	45250101C5CD3S	45250101C5CD1S	45250101C5CD3D	45250101C5CD1D
			30	1 1/2	45301515C5BC3S	45301515C5BC1S	45301515C5BC3D	45301515C5BC1D
			40	2	45400202C6BC3S	45400202C6BC1S	45400202C6BC3D	45400202C6BC1D
	50	3	45503030C6CD3S	--	45503030C6CD3D	--		
	37500	37.5	15	1/2	45150505C4BC3S	45150505C4BC1S	45150505C4BC3D	45150505C4BC1D
			20	3/4	45200707C4CD3S	45200707C4CD1S	45200707C4CD3D	45200707C4CD1D
			25	1 1/2	45251515C5BC3S	45251515C5BC1S	45251515C5BC3D	45251515C5BC1D
			30	1 1/2	45301515C5CD3S	45301515C5CD1S	45301515C5CD3D	45301515C5CD1D
			40	3	45403030C6CD3S	--	45403030C6CD3D	--
	50	3	45503030C6CD3S	--	45503030C6CD3D	--		
	45000	45	15	1/2	45150505C4DE3S	45150505C4DE1S	45150505C4DE3D	45150505C4DE1D
			20	3/4	45200707C4CD3S	45200707C4CD1S	45200707C4CD3D	45200707C4CD1D
			25	1 1/2	45251515C5CD3S	45251515C5CD1S	45251515C5CD3D	45251515C5CD1D
30			2	45302020C5DE3S	45302020C5DE1S	45302020C5DE3D	45302020C5DE1D	
40			3	45403030C6CD3S	--	45403030C6CD3D	--	
50	3	45503030C6BC3S	--	45503030C6BC3D	--			
70	60000	60	15	3/4	70150707C4EF3S	70150707C4EF1S	70150707C4EF3D	70150707C4EF1D
			20	1	70201010C4DE3S	70201010C4DE1S	70201010C4DE3D	70201010C4DE1D
			25	2	70252020C5DE3S	70252020C5DE1S	70252020C5DE3D	70252020C5DE1D
			30	2	70302020C5CD3S	70302020C5CD1S	70302020C5CD3D	70302020C5CD1D
			40	3	70403030C6BC3S	--	70403030C6BC3D	--
	50	3	70503VA612SS3S	--	70503VA612SS3D	--		
	75000	75	15	1	70151010C4DE3S	70151010C4DE1S	70151010C4DE3D	70151010C4DE1D
			20	1 1/2	70201515C4EF3S	70201515C4EF1S	70201515C4EF3D	70201515C4EF1D
			25	2	70252VA612SS3S	70252VA612SS1S	70252VA612SS3D	70252VA612SS1D
			30	3	70303VA612SS3S	--	70303VA612SS3D	--
40			3	70403VA612SS3S	--	70403VA612SS3D	--	
50	5	70505VA715SS3S	--	70505VA715SS3D	--			

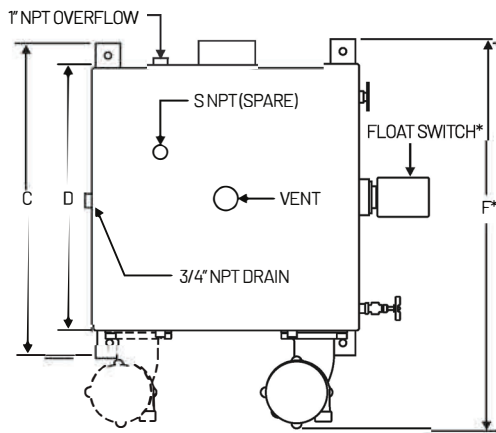
All Duplex and Simplex Condensate Return Units include 304SS Tank, SS Vertical Flange Mounted Centrifugal Pumps, NEMA 1 Float Switch (Simplex) or Mechanical Alternator (Duplex) and SS Site Gauge Assembly. Note: Pumps & Tanks can be interchanged. Consult factory for Custom Systems.

SIMPLEX & DUPLEX TANK/PUMP SELECTION GUIDE

TANK SIZE	EDR	GPM	PSIG	HP	SIMPLEX MODEL NUMBER THREE PHASE	SIMPLEX MODEL NUMBER SINGLE PHASE	DUPLEX MODEL NUMBER THREE PHASE	DUPLEX MODEL NUMBER SINGLE PHASE
100	90000	90	15	1 1/2	100151510C4EF3S	100151510C4EF1S	100151510C4EF3D	100151510C4EF1D
			20	2	100202VA612SS3S	100202VA612SS1S	100202VA612SS3D	100202VA612SS1D
			25	2	100252VA612SS3S	100252VA612SS1S	100252VA612SS3D	100252VA612SS1D
			30	3	100303VA612SS3S	---	100303VA612SS3D	---
			40	5	100405VA715SS3S	---	100405VA715SS3D	---
	50	5	100505VA715SS3S	---	100505VA715SS3D	---		
	112000	112	15	3	100153VA612SS3S	---	100153VA612SS3D	---
			20	3	100203VA612SS3S	---	100203VA612SS3D	---
			25	3	100253VA612SS3S	---	100253VA612SS3D	---
			30	5	100305VA715SS3S	---	100305VA715SS3D	---
40			5	100405VA715SS3S	---	100405VA715SS3D	---	
135	150000	150	50	5	100505VA715SS3S	---	100505VA715SS3D	---
			15	5	135155VA715SS3S	---	135155VA715SS3D	---
			20	5	135205VA715SS3S	---	135205VA715SS3D	---
			25	5	135255VA715SS3S	---	135255VA715SS3L	---
			30	5	135305VA715SS3S	---	135305VA715SS3D	---
			40	7 1/2	135407VA715SS3S	---	135407VA715SS3L	---
50	7 1/2	135507VA715SS3S	---	135507VA715SS3D	---			

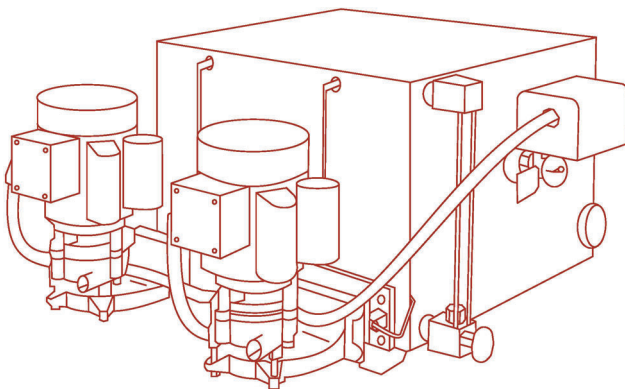
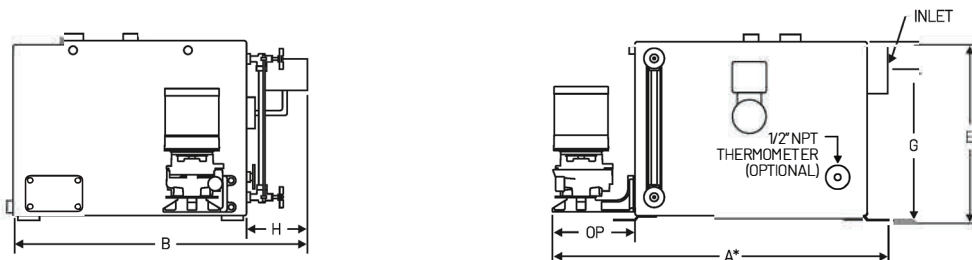
STAINLESS STEEL CONDENSATE UNIT DIMENSIONS

Note: Tank Sizes to 360 Gallons are Available



TANK DIMENSIONS											
TANK	INLET	VENT	A*	B	C	D	E	F	G	H	S
12	2	1	26	22	20	15	14	26	10	6	3/4
25	4	1 1/4	29	25	23	18	19	29	16	6	3/4
45	4	2	35	31	29	24	19	35	16	6	1 1/2
70	4	2 1/2	41	37	35	30	19	41	16	6	1 1/2
100	4	3	47	43	41	36	19	47	16	6	1 1/2
135	4	3	46	43	41	36	25	47	22	6	1 1/2

*NOTES: 1) PUMP EXTENDS AN ADDITIONAL 3" WHEN THE OPTIONAL ISOLATION VALVE IS ADDED
 2) ALTERNATOR WILL REPLACE FLOAT SWITCH FOR DUPLEX UNITS
 3) FOR DUPLEX UNIT 2ND PUMP SHOWN HIDDEN ON LEFT

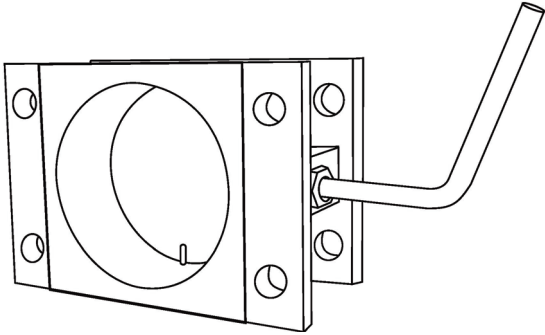


MODEL	DISCH.	PUMP SIZE	
		IMP.Ø	OP
C4AB	1/2	4	8
C4BC	3/4	4	8 3/16
C4CD	1	4	8 3/16
C4DE	1 1/4	4	8 3/8
C4EF	1 1/2	4	8 3/8
C5AB	1/2	5	8 3/8
C5BC	3/4	5	8 1/2
C5CD	1	5	8 1/2
C5DE	1 1/4	5	8 5/8
C6AB	1/2	6	9 3/16
C6BC	3/4	6	9 3/8
C6CD	1	6	10 1/16
VA612	1 1/4	6	11 1/2
VA715	1 1/2	7	13

Note: OP Dimension will be 3" longer when optional isolation valve is added

TANK ACCESSORIES

STAINLESS STEEL
PUMP SUCTION ISOLATION VALVE



STAINLESS STEEL
SIGHT GAUGE VALVE ASSEMBLY

