

Steam Traps

STT-22 316L



Thermostatic Steam Trap and Air Vent

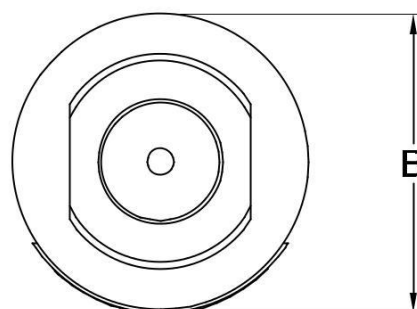
STT-22 is a balanced pressure thermostatic steam trap manufactured in 316L materials. It has an internal thermostatic capsule (S) for operation at approximately 5°F below steam saturation temperature. This type of trap is used to remove air from the ends of steam distribution lines or jacketed equipment. It can also be used to drain the condensate from steam and tracing lines with discharge to the atmosphere. It can be supplied with screwed connections BSPT (BS 21) or NPT (ANSI-B1.20.1). Contact factory for other connection options.



AVAILABLE MODELS
STT-22

FEATURES

Product Family	STT
Sizes	3/8", 1/2", 3/4", 1"
Connections	Screwed
Body Material	AISI 316L Stainless Steel
PMO Max. Oper. Pressure	313 psig
TMO Max. Oper. Temperature	482 °F

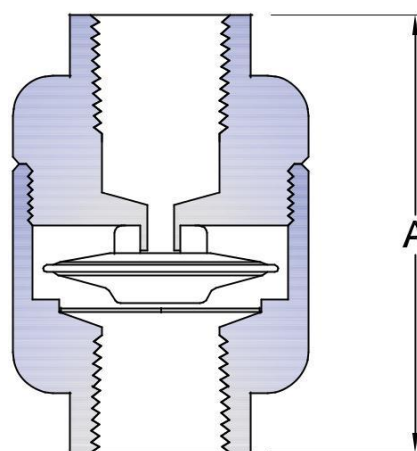


HOW TO ORDER

Specify:

- Model
- Sizes and type of connection

Example: 1 Thermaflo Thermostatic Steam Trap model STT-22 with 1/2" body and npt connections.



DIMENSIONS & WEIGHT (INCHES & POUNDS)

DN	A	B	Weight
3/8"	1.73	2.55	1.10
1/2"	1.73	2.55	1.10
3/4"	1.73	2.55	1.10
1"	1.89	2.83	1.54

CAPACITY

Size	DIFFERENTIAL PRESSURE - ΔP (psig) x Q (lb/h)													
	3	4	7	14	21	28	43	57	85	114	142	213	284	313
ALL	617	705	882	992	1323	1433	1,543	1764	1852	1984	2161	2425	2535	2579



SteamTraps

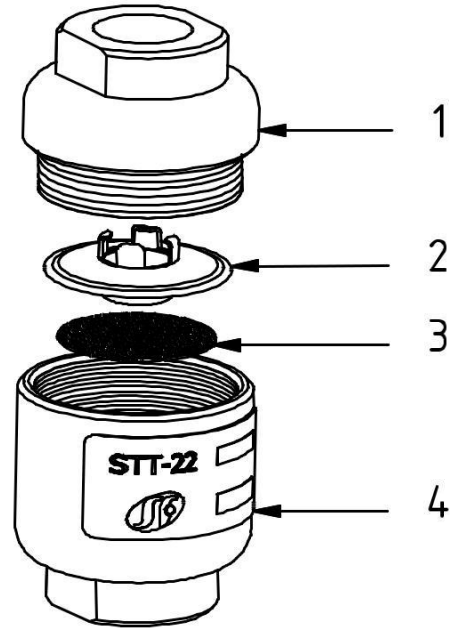
STT-22 316L

STEAM TRAPS

Thermostatic Steam Trap/Air Vent

COMPONENTS AND MATERIALS

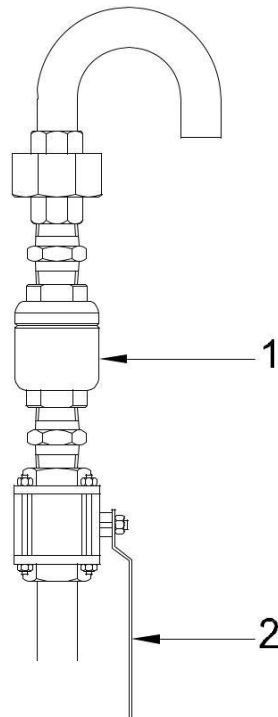
Pos.	Description	Material
1	Cover	AISI 316L SS
2	Thermostatic Capsule	AISI 304 SS
3	Screen	AISI 316SS
4	Body	AISI 316L SS



HOW TO ORDER SPARE PARTS

Model	Description	Pos.	1/2"	3/4"	1"
STT22	Thermostatic Capsule	2	21,684	21,684	21,684

TYPICAL INSTALLATION



Designed for Main Drip and Humidifier Jacket Applications for Pure Steam and Clean Steam Use

Item	Description
1	Steam Trap
2	Ball Valve

INSTALLATION INSTRUCTIONS

This Trap is designed for installation with capsule in a vertical line with the inlet at the top and outlet at the bottom.

PRODUCT DISPOSAL

This product is totally recyclable. No ecological hazard is anticipated with the disposal of this product.

SAFETY, INSTALLATION AND MAINTENANCE

For safety, installation and maintenance information see instructions supplied with the product (MI-0104-57).