



# STAINLESS STEEL PRESSURE TRANSMITTER P51 SERIES

## DESCRIPTION

The compact and robust **Thermaflo P51 Series Stainless Steel Pressure Transmitter** is designed for use with a wide variety of liquid or gas media and for industrial, process or commercial applications. The 304L and 316L stainless steel wetted parts makes the transmitter ideally suited for media such as water, glycol, refrigerants, steam (w/pigtail), and ammonia. The **P51 Series** is available in models with a 4-20 mA output or with 0-10 VDC output and come standard with a 3 foot cable. It is very competitively priced and can be ordered in an optional enclosure assembly, or enclosed with a gauge for local pressure indication.



P51 with optional enclosure and gauge



P51



## FEATURES

- Robust compact package
- Laser welded stainless steel design
- Reverse polarity protection
- 3' cable standard
- Optional enclosure
- Optional gauge assembly
- Ranges up to 500 psi

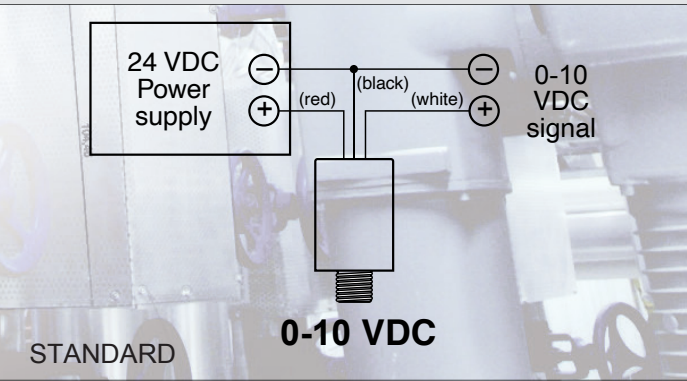
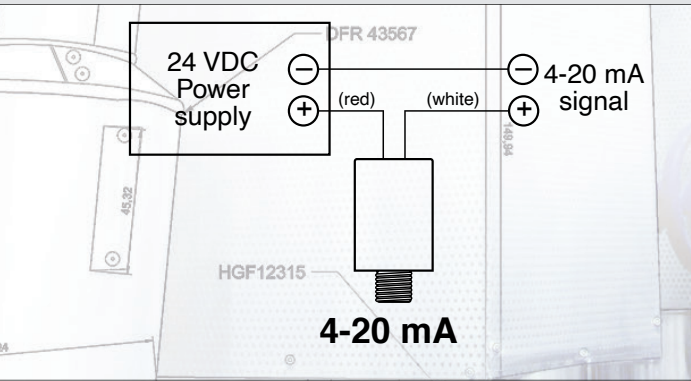
## APPLICATION

- Hot/chilled water
- Pneumatics
- Steam (with pigtail)
- Compressors
- Refrigeration
- Agriculture
- Hydraulics
- Process control
- Flow

## SPECIFICATIONS

<b>Supply Voltage</b>	8 to 30VDC @ 25 mA max	<b>Wetted Parts</b>	Brass, 304SS and 316SS
<b>Current output</b>	8 to 30VDC @ <5 mA	<b>Media Compatibility</b>	Liquid or Gas compatible w/SS
<b>Voltage output</b>	8 to 30VDC @ <5 mA	<b>Process Connection</b>	Direct-1/8" MNPT, Encl. bulkhead-1/8" FNPT
<b>Accuracy</b>	±0.5% Full scale (includes linearity, repeatability and Hysteresis)	<b>Wiring Terminations</b>	16 AWG pigtail, 2 used-(4-20mA), 3-(Volts)
<b>Signal Output (Volts,Current)</b>	±1% Full scale for =50 psig	<b>Mounting</b>	36" (91cm) cable w/ Packard connector
<b>Signal Output (Volts,Current)</b>	0-10V @ 50KΩ, 4-20 mA @ 800Ω (loop powered)	<b>Enclosure Rating</b>	By process connection or optional enclosure
<b>Sensor Type</b>	ASIC piezo-resistive and temp. compensated	<b>Dimensions</b>	(Optional) plastic enclosure, NEMA 4, (IP66)
<b>Display</b>	2" Dial gauge (model specific)	<b>Weight</b>	5.11"H x 5.11"W x 2.95"D, (13.0 x 13.0 x 7.5 cm)
<b>Overpressure</b>	(Burst) 3x rated pressure	<b>Warranty</b>	0.25 lb (0.11 Kg)
<b>Max Operating Pressure</b>	Steam 125 Psig with syphon		1 year
<b>Operating Temperature</b>	-40° to 221°F (350F With Syphon)		
<b>Operating Humidity</b>	10 to 90% Non-condensing		

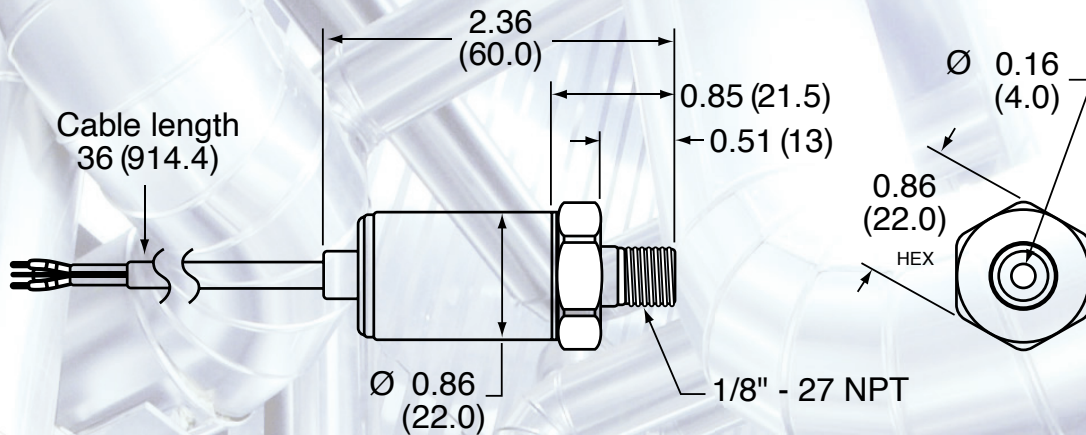
## WIRING





# STAINLESS STEEL PRESSURE TRANSMITTER P51 SERIES

## DIMENSIONS



## ORDERING INFORMATION

MODEL	DESCRIPTION
P51	Pressure transmitter
	<b>RANGE psig (kPa)</b>
15	0-15 (0-103)
50	0-50 (0-345)
100	0-100 (0-690)
200	0-200 (0-1379)
300	0-300 (0-2069)
500	0-500 (0-3448)
	<b>OUTPUT SIGNAL</b>
20	4-20 mA output
5	0-10 VDC output
	<b>OPTIONS</b>
E	Transmitter in watertight enclosure with stainless steel fittings
E-G	Transmitter in enclosure with a pressure gauge, brass fittings

P51 - 100 - 20 -  *Example: P51-100-20 0-100 psi transmitter with 4-20 mA output, no options*

## RELATED PRODUCTS

47B-1	Brass piston style snubber
47S-1	Stainless steel piston style snubber
DCP-1.5-W	Power supply, 24 VAC IN to 24 VDC OUT
DCPA-1.2	Power supply, 120 VAC IN to 24 VAC/24 VDC OUT
PT	1/4" pigtail syphon with fittings
ZG-R01	500Ω, 1/2W, 1% resistor