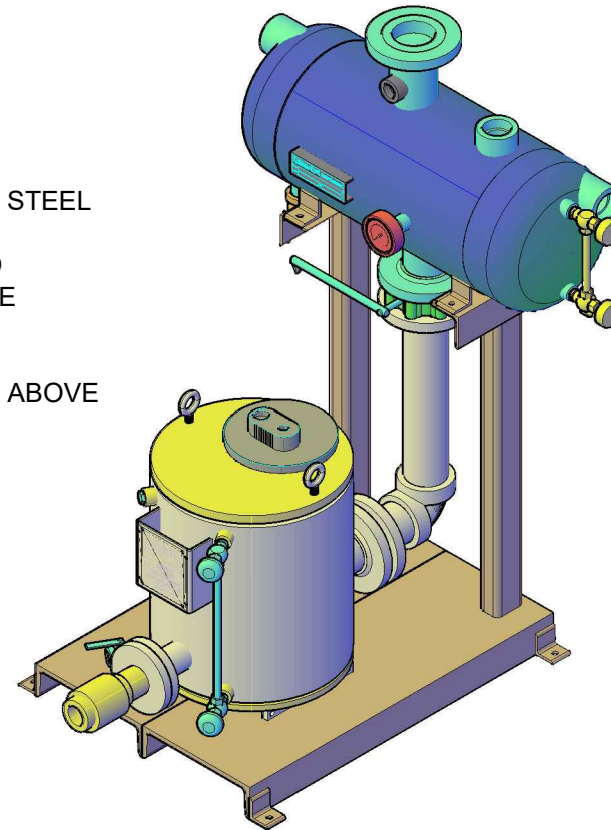
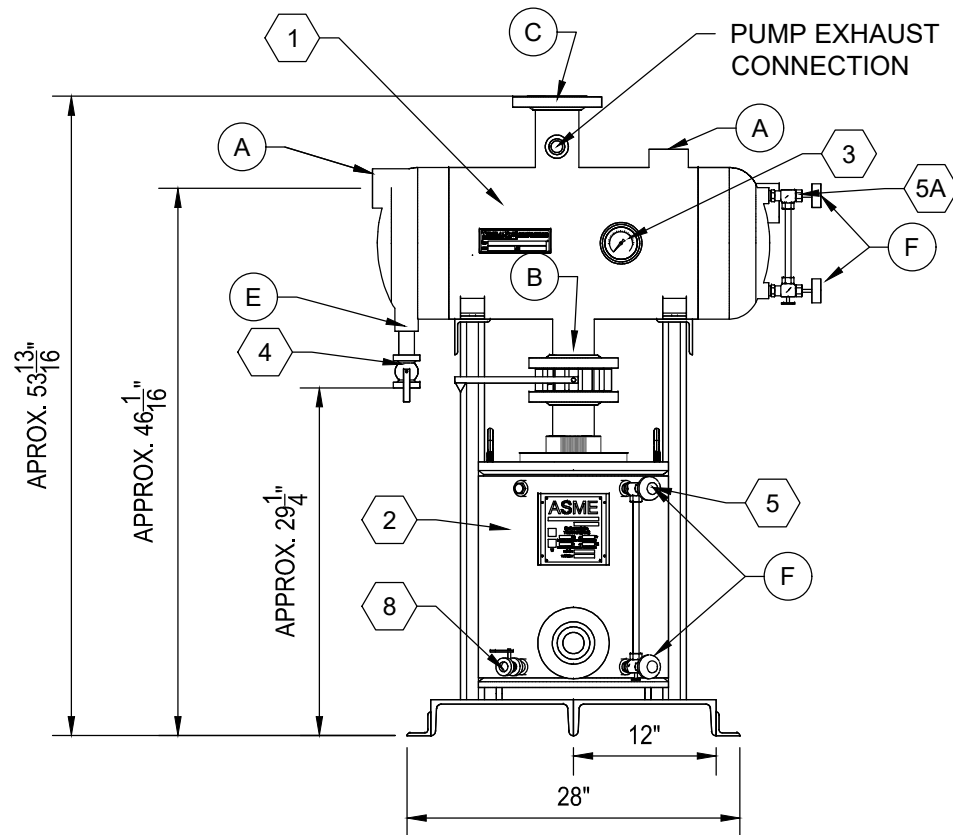


FEATURES AND BENEFITS:

- > SINGLE SPRING COMPRESSION MECHANISM
- FIVE MILLION CYCLES STANDARD
- > INCONEL X SPRING AND STAINLESS STEEL INTERNALS
- > ASME CODE SECTION VIII CERTIFIED
- > COMPLETE PACKAGED CONDENSATE SYSTEM
- > NO SEALS OR CONTROL PANELS
- > PUMPS CONDENSATE AT 212°F AND ABOVE STANDARD

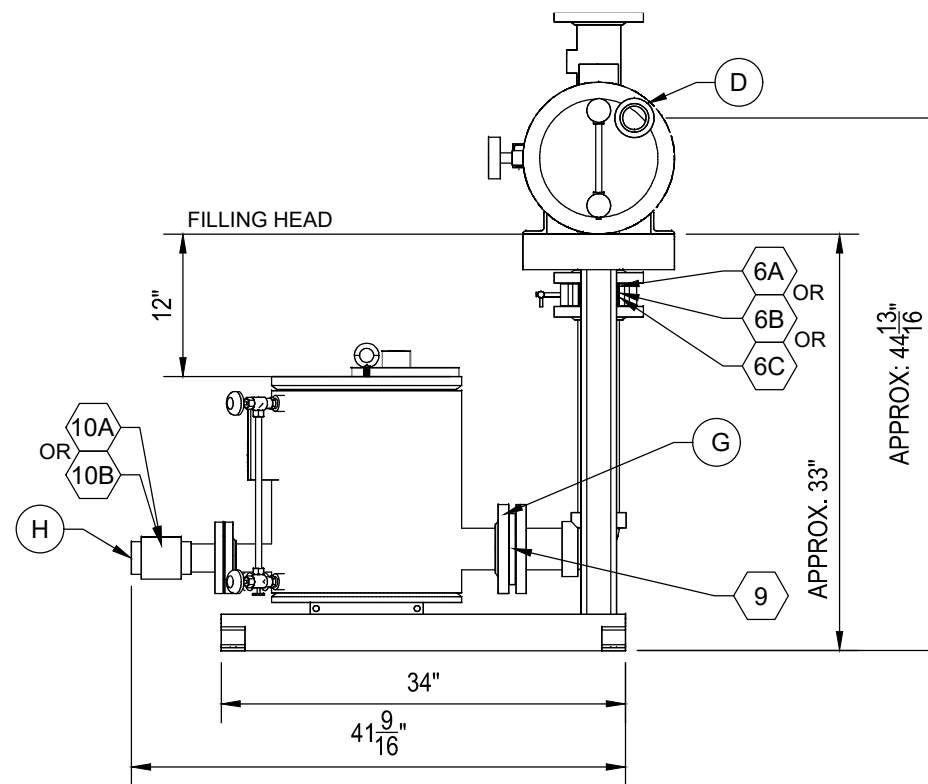


PLAN VIEW



FRONT VIEW

ISOMETRIC



RIGHT SIDE VIEW

NOTE:
3" VENT BASED ON 300 LBS/HR MAX FLASH
IF FLASH EXCEEDS THIS THE CAPACITY WILL DECREASE

#	DATE	REVISION	BY
1	07-06-20	REV CHART TO MATCH CUTSHEET	RSP

NOTE: 150# ASME CONDENSATE RECEIVER AVAILABLE

THIS DRAWING AND INFORMATION THEREON ARE THE PROPERTY OF: THERMAFLO INCORPORATED AND SHALL NOT BE USED OR DISCLOSED, EXCEPT IN ACCORDANCE WITH PRIOR WRITTEN APPROVAL. THIS DRAWING AND BILL OF MATERIAL REPRESENTS THE ENTIRE CONTENT OF THERMAFLO'S SCOPE OF SUPPLY. THERMAFLO MAKES NO OTHER REPRESENTATION OF ADDITIONAL ITEMS, VALVES, OR EQUIPMENT OTHER THAN WHAT IS LISTED AND SHOWN HERE. THERMAFLO INCORPORATED RESERVES THE RIGHT TO MAKE DESIGN CHANGES AS NEEDED.

DESIGN DATA

COND. TANK	ATMOSPHERIC - NOT RATED
CONDITION OF SERVICE AND PERFORMANCE DATA	
STEAM MOTIVE PRESSURE	SEE CHART
CONDENSATE BACK PRESSURE	CHART
PUMP CAPACITY	BELOW
MATERIALS of CONSTRUCTION	
TANK SHELL	CARBON STEEL
STAND	CARBON STEEL
PIPING	CARBON STEEL

BILL of MATERIALS

ITEM	QTY	DESCRIPTION
1	1	THERMAFLO CONDENSATE TANK, 12X33 OAL, 15 GALLON, HEAVY SHELL
2	1	THERMAFLO ENGINEERING MODEL POP-LP ASME CODE PRESSURE OPERATED CONDENSATE PUMP, STAINLESS STEEL INTERNAL MECHANISM
3	1	5" BIMETAL THERMOMETER W/SS WELL
4	1	1" THERMAFLO 3700 BALL VALVE
5	1	14.5" THERMAFLO MODEL 24-350 SIGHT LEVEL GAUGE
5A	1	8.5" THERMAFLO MODEL 24-350 GLASS SIGHT LEVEL GAUGE
6A	1	1-1/2" THERMAFLO 3700 BALL VALVE, FULL PORT
6B	1	2" THERMAFLO 3700 BALL VALVE, FULL PORT
6C	1	3" ISOLATION BUTTERFLY VALVE VALVE, LUG BODY, STAINLESS STEEL DISK
7	1	1/2" MODEL MDT-421 STAINLESS STEEL THERMODYNAMIC STEAM TRAP
8	1	1/2" THERMAFLO 3700 BALL VALVE, FULL PORT
9	1	3" WAFER INLET CHECK VALVE, STAINLESS STEEL BODY AND TRIM
10A	1	1-1/2" SPRING OUTLET CHECK VALVE, STAINLESS STEEL BODY AND TRIM
10B	1	2" SPRING OUTLET CHECK VALVE, STAINLESS STEEL BODY AND TRIM

NOZZLES and CONNECTIONS

ITEM	SIZE (In)	TYPE & RATING	SERVICE
A	2	NPT	CONDENSATE INLET
B	1-1/2 OR 2 OR 3	NPT OR 150# FLG	TANK OUTLET TO PUMP
C	3	150# FLG	VENT
D	2	NPT	OVERFLOW
E	1	NPT	DRAIN
F	3/4	NPT	LEVEL/SIGHT GAUGE
G	3	150# FLG	PUMP INLET
H	1-1/2 OR 2	NPT	PUMP OUTLET
J	1/2	NPT	PUMP MOTIVE
K	1	NPT	PUMP EXHAUST

CAPACITIES STEAM MOTIVE CONDENSATE LBS/HR

STEAM MOTIVE PRESSURE	TOTAL BACK PRESSURE	STANDARD SIMPLEX-POP-LP		
		1.5" x 1.5" DRY WT-189 FLOODED WT 307 12" FILL HEAD	2" x 2" DRY WT-190 FLOODED WT 308 12" FILL HEAD	3" x 2" DRY WT-191 FLOODED WT 309 12" FILL HEAD
PSIG	PSIG			
10	5	2,060	4,360	5,400
10	2	3,020	7,590	8,000
25	15	3,128	5,650	6,290
25	10	4,089	7,320	8,330
25	5	4,200	8,710	9,000
50	40	2,070	3,850	4,587
50	25	4,090	7,650	8,990
50	10	5,164	8,920	9,760
75	60	2,126	4,090	4,490
75	40	4,109	6,660	7,830
75	15	5,670	9,550	9,947
100	80	3,160	4,640	5,160
100	60	4,200	6,290	6,880
100	40	5,031	7,760	8,680
100	25	5,414	9,820	10,110
125	115	2,220	3,680	4,160
125	10	3,669	4,710	5,240
125	80	4,510	6,230	6,770
125	60	5,324	7,580	8,190
125	40	5,534	8,720	9,090
125	25	5,826	9,329	10,261
150	100	3,234	4,600	5,490
150	80	4,253	5,690	6,980
150	60	5,590	6,970	8,370
150	40	6,257	8,180	9,390
150	25	9,460	10,095	10,830

Since 1986
THERMAFLO INC.
Manufacturers Of Steam Fired Specialty Equipment
2880 Fair Avenue, Newberry, SC 29108
(704) 940-1228 www.thermafloengineering.com

DESCRIPTION:	STANDARD POP-LP-SIMPLEX POWER PRESSURE PUMP CONDENSATE RETURN SYSTEM			
CUSTOMER:	TJS	JOB #	QTY.	DATE:
SCALE:	SAH	PO#	PLAN#	FILE:
NTS				POP-LP-S-X
REV.#	1	REV.#	1	PAGE:
				1