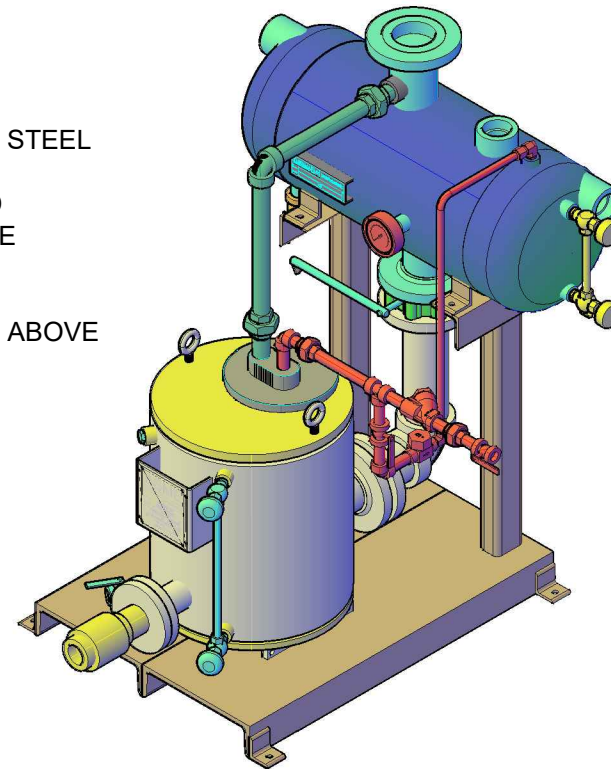


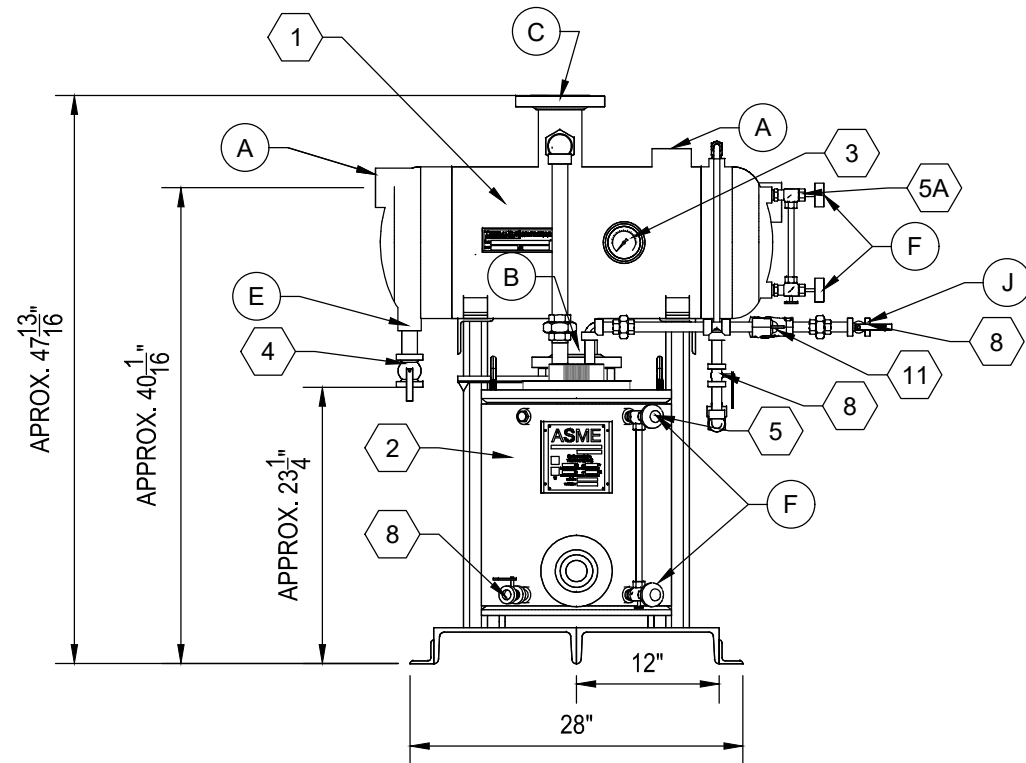
PLAN VIEW

FEATURES AND BENEFITS:

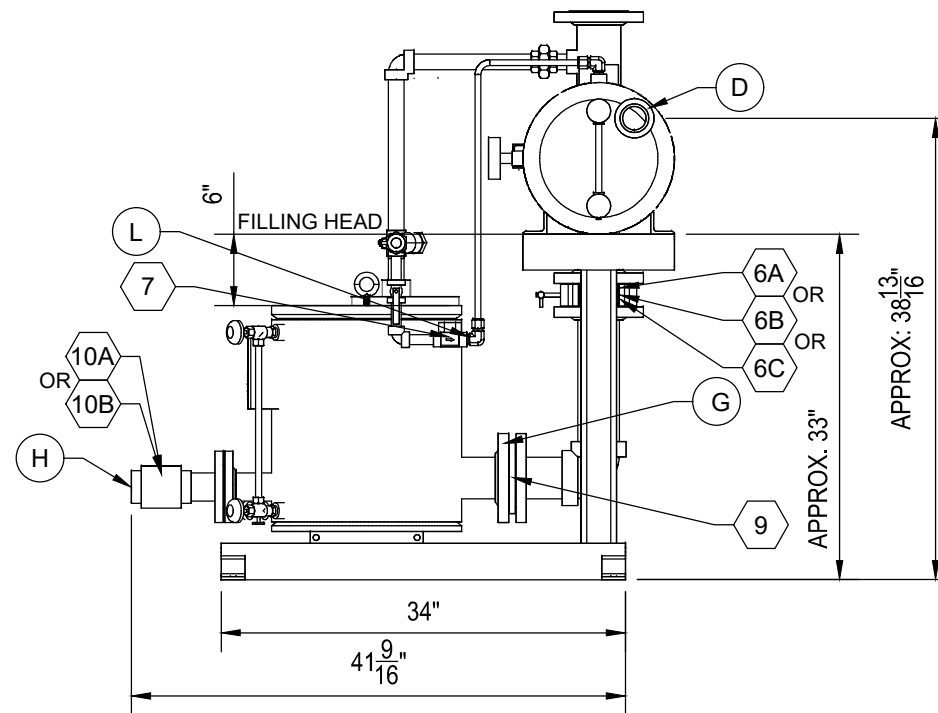
- > SINGLE SPRING COMPRESSION MECHANISM
- FIVE MILLION CYCLES STANDARD
- > INCONEL X SPRING AND STAINLESS STEEL INTERNALS
- > ASME CODE SECTION VIII CERTIFIED
- > COMPLETE PACKAGED CONDENSATE SYSTEM
- > NO SEALS OR CONTROL PANELS
- > PUMPS CONDENSATE AT 212°F AND ABOVE STANDARD



ISOMETRIC



FRONT VIEW



RIGHT SIDE VIEW

NOTE:
3" VENT BASED ON 300 LBS/HR MAX FLASH
IF FLASH EXCEEDS THIS THE CAPACITY WILL DECREASE

#	DATE	REVISION	BY
1	07-06-20	REV CHART TO MATCH CUTSHEET	RSP

NOTE: 150# ASME CONDENSATE RECEIVER AVAILABLE

DESIGN DATA	
COND. TANK	ATMOSPHERIC - NOT RATED
CONDITION OF SERVICE AND PERFORMANCE DATA	
STEAM MOTIVE PRESSURE	SEE
CONDENSATE BACK PRESSURE	CHART
PUMP CAPACITY	BELOW
MATERIALS of CONSTRUCTION	
TANK SHELL	CARBON STEEL
STAND	CARBON STEEL
PIPING	CARBON STEEL

BILL of MATERIALS		
ITEM	QTY	DESCRIPTION
1	1	THERMAFLO CONDENSATE TANK, 12X33 OAL, 15 GALLON, HEAVY SHELL
2	1	THERMAFLO ENGINEERING MODEL POP-LP ASME CODE PRESSURE OPERATED CONDENSATE PUMP, STAINLESS STEEL INTERNAL MECHANISM
3	1	5" BIMETAL THERMOMETER W/SS WELL
4	1	1" THERMAFLO 3700 BALL VALVE
5	1	14.5" THERMAFLO MODEL 24-350 SIGHT LEVEL GAUGE
5A	1	8.5" THERMAFLO MODEL 24-350 GLASS SIGHT LEVEL GAUGE
6A	1	1-1/2" THERMAFLO 3700 BALL VALVE, FULL PORT
6B	1	2" THERMAFLO 3700 BALL VALVE, FULL PORT
6C	1	3" ISOLATION BUTTERFLY VALVE VALVE, LUG BODY, STAINLESS STEEL DISK
7	1	1/2" MODEL MDT-421 STAINLESS STEEL THERMODYNAMIC STEAM TRAP
8	3	1/2" THERMAFLO 3700 BALL VALVE, FULL PORT
9	1	3" WAFER INLET CHECK VALVE, STAINLESS STEEL BODY AND TRIM
10A	1	1-1/2" SPRING OUTLET CHECK VALVE, STAINLESS STEEL BODY AND TRIM
10B	1	2" SPRING OUTLET CHECK VALVE, STAINLESS STEEL BODY AND TRIM
11	1	1/2" CAST IRON STRAINER

NOZZLES and CONNECTIONS			
ITEM	SIZE (in)	TYPE & RATING	SERVICE
A	2	NPT	CONDENSATE INLET
B	1-1/2 OR 2 OR 3	NPT OR 150# FLG	TANK OUTLET TO PUMP
C	3	150# FLG	VENT
D	2	NPT	OVERFLOW
E	1	NPT	DRAIN
F	3/4	NPT	LEVEL/SIGHT GAUGE
G	3	150# FLG	PUMP INLET
H	1-1/2 OR 2	NPT	PUMP OUTLET
J	1/2	NPT	PUMP MOTIVE
K	1	NPT	PUMP EXHAUST
L	1/2	NPT	TRAP OUTLET

CAPACITIES STEAM MOTIVE CONDENSATE LBS/HR				
LOW PROFILE-SIMPLEX-POP-LP				
STEAM MOTIVE PRESSURE	TOTAL BACK PRESSURE	1.5" x 1.5" DRY WT-189 FLOODED WT 307 6" FILL HEAD	2" x 2" DRY WT-190 FLOODED WT 308 6" FILL HEAD	3" x 2" DRY WT-191 FLOODED WT 309 6" FILL HEAD
PSIG	PSIG			
10	5	1,751	3,706	4,590
10	2	2,567	6,452	6,800
25	15	2,659	4,803	5,347
25	10	3,476	6,222	7,081
25	5	3,570	7,404	7,650
50	40	1,760	3,273	3,899
50	25	3,477	6,503	7,642
50	10	4,389	7,582	8,296
75	60	1,807	3,477	3,817
75	40	3,493	5,661	6,656
75	15	4,820	8,118	8,455
100	80	2,686	3,944	4,386
100	60	3,570	5,347	5,848
100	40	4,276	6,596	7,378
100	25	4,602	8,347	8,594
125	115	1,887	3,128	3,536
125	10	3,119	4,004	4,454
125	80	3,834	5,296	5,755
125	60	4,525	6,443	6,962
125	40	4,704	7,412	7,727
125	25	4,952	7,930	8,722
150	100	2,749	3,910	4,667
150	80	3,615	4,837	5,933
150	60	4,752	5,925	7,115
150	40	5,318	6,953	7,982
150	25	8,041	8,581	9,206

Since 1986
THERMAFLO INC.
 Manufacturers Of Steam Fired Specialty Equipment
 2880 Fair Avenue, Newberry, SC 29108
 (704) 940-1228 www.thermafloengineering.com

DESCRIPTION:		PRE-PIPED MOTIVE & EXHAUST-LOW PROFILE POP-LP-SIMPLEX POWER PRESSURE PUMP CONDENSATE RETURN SYSTEM			
CUSTOMER:	TJS	JOB #	QTY.	DATE:	
SCALE:	NTS	PO#	PLAN#	FILE:	POP-LP-S-X
	SAH			REV.#	1
				PAGE:	1