

THERMAFLO INCORPORATED

SINCE 1986

MANUFACTURERS OF STEAM FIRED SPECIALTY EQUIPMENT
2880 FAIR AVENUE, NEWBERRY, SC, 29108 | PHONE: 704-940-1228

TH-750 STEAM FIRED WATER HEATER

316L STAINLESS STEEL
ASME CODE STAMPED SHELL

FULLY INSULATED SHELL WITH REMOVABLE VINYL JACKET
STANDARD. METAL JACKET OPTION AVAILABLE

ASME PRESSURE AND TEMPERATURE RELIEF VALVE

ELECTRONIC RTD SENSOR

HIGH TEMP DUMP SOLENOID VALVE

CIRCULATION STAINLESS STEEL FEED
FORWARD INTRATANK CIRCULATION PUMP

EXPANDING CROSS-FLOW UTUBE BUNDLE TO
REMOVE SCALE AND BUILD-UP

SIMPLE WATER CONNECTION HOOKUPS

HIGH EFFICIENCY SUBCOOLING DESIGN UTILIZING 99% LATENT
HEAT BTUS ZERO FLASH OPTION ELIMINATES FLASH TANKS AND
100% OF WASTED FLASH STEAM

DOUBLE WALL COPPER UTUBE BUNDLE STANDARD
SINGLE WALL COPPER CUPRO NICKEL OR
STAINLESS STEEL OPTIONS AVAILABLE

ELECTRONIC FAIL SAFE HIGH SPEED V BALL STEAM
CONTROL VALVE 100:1 FLOW TURN DOWN AND
DEAD TIGHT SHUTOFF

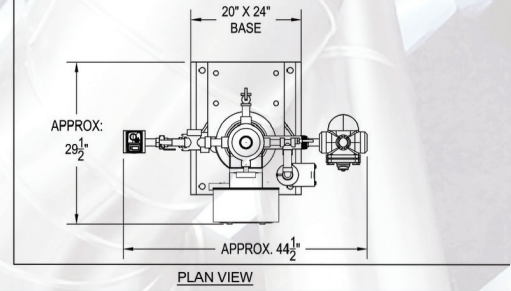
USA MADE PIPE FITTINGS

OPTIONAL CLOSED LOOP VACUUM STEAM FIRED PRESSURE
POWERED CONDENSATE PUMP. LIFTS CONDENSATE TO THE
RETURN LINE AUTOMATICALLY. "ELIMINATES WATER
HAMMER AND ALL THERMAL SHOCK"

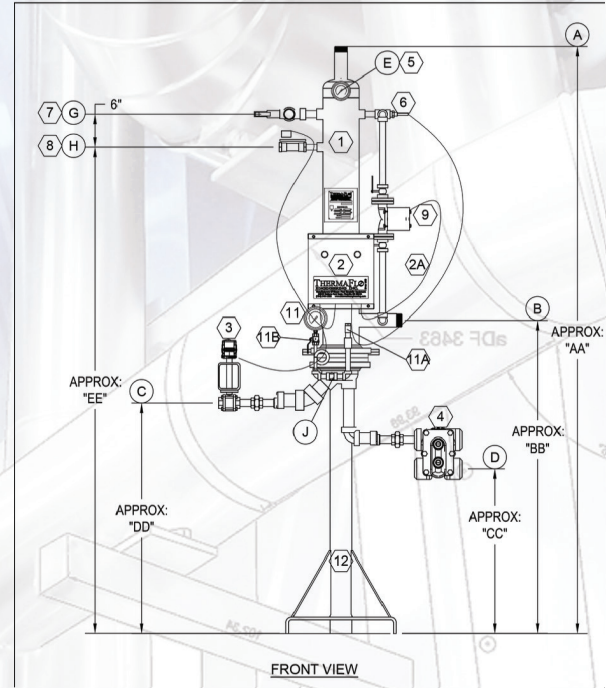
UL LISTED DIGITAL PID CONTROL PANEL FEATURING "TRUE TUNE"
AND REMOTE INTERFACE. OPTIONAL BACNET/ LONWORKS

- COMPLETE PACKAGE STEAM TESTED PRIOR TO SHIPMENT
- HORIZONTAL MODELS AND WATER TO WATER UNITS AVAILABLE
- MADE IN USA PRODUCTS

Materials of Construction - Single Wall		Optional
Shell	316 Stainless Steel	NA
Tubes	20 BWG Cooper	18 BWG Cooper 18 BWG 90/10 Cu/Ni 18 BWG 304 SS 18 BWG 316 SS
Tubesheet	304 Stainless Steel	Brass / 316 SS
Baffles	Stainless Steel	Brass
Head	Cast Iron or Steel	Fab. Steel



Materials of Construction - Double Wall		Optional
Shell	316 Stainless Steel	NA
Tubes	20 BWG Cooper	18 BWG Cooper 18 BWG 90/10 Cu/Ni
Tubesheet	304 Stainless Steel	Brass / 316 SS
Baffles	Stainless Steel	Brass
Head	Cast Iron or Steel	Fab. Steel



Quick Selection Table - Single Wall

40°F to 140°F / 100 deg rise with 15 PSIG Steam to Control Valve

Model #	LB/Hr of Steam	Maximum Capacity in GPM
TH750V-624	575	11
TH750V-636	1099	21
TH750V-648	1674	32
TH750V-836	2249	43
TH750V-848	3505	67
TH750V-1036	3924	75
TH750V-1048	5650	108
TH750V-1236	5650	108
TH750V-1248	8110	155

Dimensions Steam / Water

Model #	"AA"	"BB"	"CC"	"DD"	"EE"	"FF"	"GG"	Wt. Dry
TH750V-624; 636; 836	95"	44"	20"	26"	24"	53"	16"	600 lbs
TH750V-648; 848	107"	59"	20"	39"	24"	56"	28"	645 lbs
TH750V-1036; 1236	96"	46"	20"	27"	24"	56"	20"	850 lbs
TH750V-1048; 1248	107"	59"	20"	36"	24"	58"	30"	1050 lbs

Quick Selection Table - Double Wall

40°F to 140°F / 100 deg rise with 15 PSIG Steam to Control Valve

Model #	LB/Hr of Steam	Maximum Capacity in GPM
TH750V-624	521	10
TH750V-636	1046	20
TH750V-648	1621	31
TH750V-836	2197	42
TH750V-848	3400	65
TH750V-1036	3767	72
TH750V-1048	5493	105
TH750V-1236	5650	105
TH750V-1248	7848	150

TH750

Model Designation

V

V = Vertical

8

H = Horizontal

36

Shell Diameter

SW

Tube Bundle Length

EN

SW = Single Wall

DW = Double Wall

EN = Electronic Control Valve

PN = Pneumatic Control Valve

SA = Self Acting Control Valve

Example = TH750V-836-SWEN



TH-750 STEAM FIRED WATER HEATER

THERMAFLOENGINEERING.COM
2880 FAIR AVE. NEWBERRY, SC.
704-940-1228