



## Culinary Steam Filters



### High efficiency stainless steel culinary steam filters for food and beverage applications

The Thermaflo Engineering SF-Series<sup>1</sup> range of culinary steam filters have been specifically designed to provide culinary grade steam to the food and beverage industry.

This range encompasses ten models with connections from 1/4" to 3" and rated flows from 15 to 1780 lbs/hr.

With polished stainless steel housings and all materials conforming to FDA regulations for direct food contact, these filters are ideally suited for removing contaminants from steam used in food and beverage processing.

The pleated stainless steel elements incorporate a positive double o-ring click-lock seal and are 100% integrity tested prior to shipment for reliable performance.

### High performance filtration for the food and beverage industry

With high efficiency and low pressure drop these filters provide efficient, cost effective performance exceeding 3A culinary specifications. There is no better filter for your culinary steam needs.



#### Applications Include:

Food Processing

Beverage

Dairy

Biotechnology

Aseptic Processing

Thermaflo Engineering  
Inc. 2880 Fair Avenue  
Newberry, South Carolina  
USA 29108

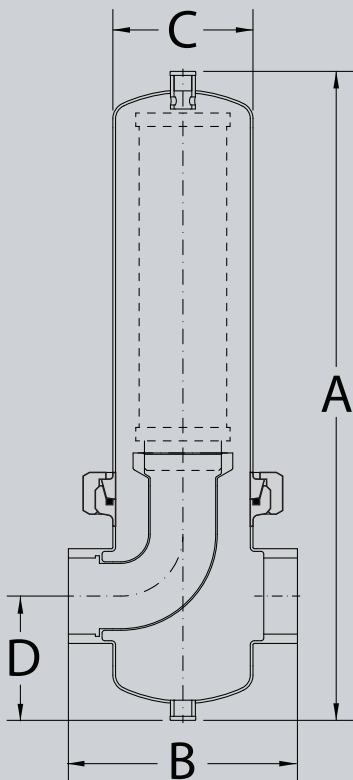
Tel: (704) 940-1228  
Fax: (704) 940-1227



# Technical Specification

Sizes to 6" and 10,000lbs/hr available consult factory

Filter Model	Inlet & Outlet	Rated Flow <sup>(1)</sup>	Dimensions (inches)				Approx. Weight	Replacement Element
	NPT(F)		lbs/hr	A	B <sup>(2)</sup>	C		
SF 0050 SP-N	1/4"	15	9.45	4.14	2.76	2.24	4.2	E 102 SP
SF 0065 SP-N	3/8"	20	9.45	4.14	2.76	2.24	4.4	E 102 SP
SF 0085 SP-N	1/2"	30	9.45	4.25	2.76	2.24	4.6	E 102 SP
SF 0120 SP-N	3/4"	95	9.45	4.92	2.76	2.24	5.1	E 102 SP
SF 0170 SP-N	1"	175	11.40	4.92	3.35	2.78	7.3	E 105 SP
SF 0295 SP-N	1 1/2"	425	12.70	5.51	3.35	3.49	11.4	E 105 SP
SF 0460 SP-N	2"	750	19.02	6.70	4.10	3.64	12.1	E 110 SP
SF 0680 SP-N	2"	825	29.37	6.70	4.10	3.64	15.0	E 120 SP
SF 0850 SP-N	2 1/2"	1250	29.53	7.17	4.10	3.80	15.2	E 120 SP
SF 1150 SP-N	3"	1780	40.04	7.17	4.10	3.96	19.4	E 130 SP



Recommended Flow Rate Listed Above based on 30 psig Inlet Pressure

specifications	standard	optional
design operating pressure range	0 to 232 psig	0 to 362 psig
inlet & outlet connections	NPT(F)	tri-clamp sanitary
drain & vent connections	1/4" BSPP	-
filter housing material	1.4301 quality 304 stainless steel	1.4404 quality 316L stainless steel
filter housing polishing	passivated & polished to grade Ra <1.6um	-
filter housing seals	aseptic EPDM	consult factory

element performance	SP
particle removal	1 micron
particle removal efficiency	99%
continuous operating temperature range	212 to 392°F
media material	pleated 316 stainless steel mesh
media support & endcap material	316 stainless steel
element to housing connection	positive click lock dual silicone o-rings
differential pressure - clean	1.0 psid

pressure correction factors								
operating pressure (psig)	15	30	45	60	75	90	100	120
correction factor	0.65	1.00	1.25	1.60	2.15	2.25	2.60	3.25

- (1) At 30 psia and 80ft/sec flow velocity. For all other pressures, refer to the pressure correction factors above.
- (2) +/- 0.118"
- (3) Install a Thermaflo NDT 1/4" Steam Trap at the lower connection to remove condensate.
- (4) Install a Steam Wye strainer 40 Mesh Min at the inlet of the Filter.
- (5) Install in a horizontal configuration
- (6) Steam trap main drip stations should be install in the steam line before and after the filer location to make sure condensate does not build up in the system.
- (7) Pressure gauges are recommended to be installed at the inlet and outlet of steam filter so that the condition and pressure drop of the steam filter is known.
- (8) When the clean steam filtered comes in contact with food a complete 316 stainless steel piping system is recommended and boiler chemicals used should not be of a toxic variety in any way.

Other Clean Steam Products  
 Thermodynamic Steam Traps  
 Thermostatic Steam Traps  
 Sanitary Ball Control Valves  
 Sanitary TH750 Water Heaters  
 Clean Steam Generators  
 Pressure Regulators  
 Filters of All Types  
 2021