





# Steam Traps

## MDT-420

STEAM TRAPS

### Thermodynamic Steam Trap

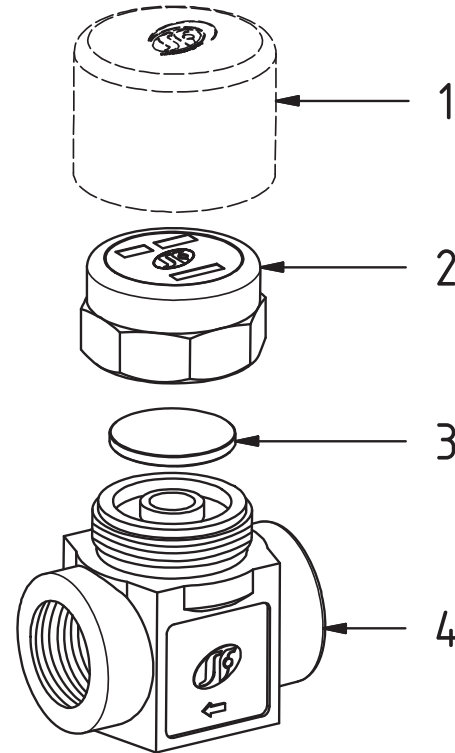
#### COMPONENTS AND MATERIALS

| Pos. | Description     | Material        |
|------|-----------------|-----------------|
| 1    | Insulated Cover | Aluminium       |
| 2    | Cover           | ASTM A743 CA40F |
| 3    | Disc            | AISI 420 SS     |
| 4    | Body            | ASTM A743 CA40F |

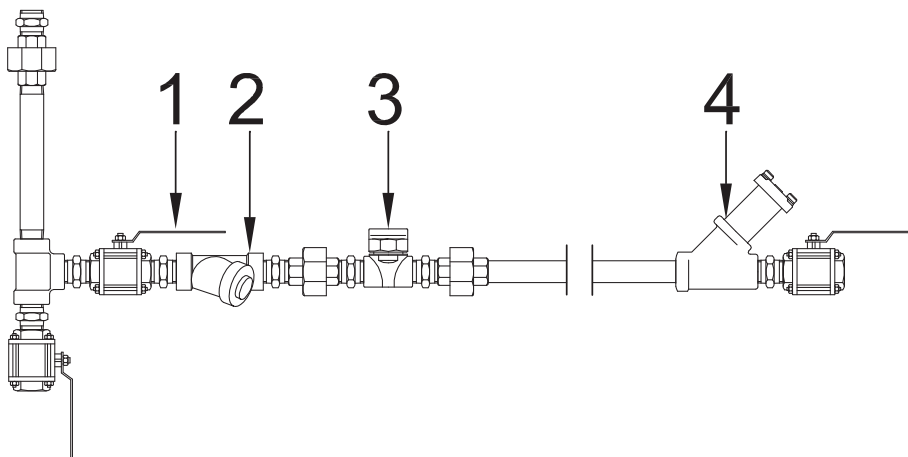
#### HOW TO ORDER SPARE PARTS

| Model  | Description     | Pos. | 1/2"   | 3/4"   | 1"     |
|--------|-----------------|------|--------|--------|--------|
| MDT421 | Disc            | 3    | 16,991 | 16,992 | 16,994 |
|        | Insulated Cover | 1    | 17,068 | 17,071 | 17,074 |

Note: Top cap Part 2 can be removed for cleaning and inspection of the Disc Part 3 and seats.



#### TYPICAL INSTALLATION



| Title: |             |
|--------|-------------|
| 1      | Stop Valve  |
| 2      | Y Strainer  |
| 3      | Steam Trap  |
| 4      | Sight Glass |

#### INSTALLATION INSTRUCTIONS

This Steam Trap should be installed in a horizontal pipeline with the direction of flow as indicated by the arrow on the trap body.

#### PRODUCT DISPOSAL

This product is totally recyclable. No ecological hazard is anticipated with the disposal of this product.

#### SAFETY, INSTALLATION AND MAINTENANCE

For safety, installation and maintenance information see instructions supplied with the product (MI-0101-37).

Thermaflo/SF Steam and Condensate Products Group P.O. Box 70 Newerry, SC 29108

Phone: 704-940-1228 email: rfj@thermafloengineering.com

Steam and Condensate Specialty Products and Heat Transfer Equipment

