

# Steam Traps

# FTV-140 Single Seated "No Steam Live Loss"

## Ball Float & Thermostatic Steam Trap

FTV-140 is a Float and Thermostatic steam trap designed to remove the condensate from steam, recommended for high pressure main drips, heat exchangers, drying cylinders, air dryers, etc. It can be supplied with Air Vent (EAR) as standard or Steam Lock Release (SLR) as optional. It is available with horizontal connections with flow from left to right (L-R), from right to left (R-L) or with vertical connection (V), with flow downwards. It can be easily maintained even when installed, its discharge orifice below the condensate level of steam trap prevent trap against live steam leakage. It can be supplied with screwed connections NPT (ANSI-B1.20.1). Flanges according to ANSI-B16.5 class. Contact our factory for other connection options.

### FEATURES

Product Family	<b>FTV-140</b>
Sizes	<b>1/2", 3/4" and 1"</b>
Connections	<b>SW, BW, Flanged</b>
Body Material	<b>GGG 40.3 Ductile Iron</b>
Options	<b>SLR - Steam Lock Release</b>
PMO Max. Oper. Pressure	<b>250 psig</b>
TMO Max. Oper. Temperature	<b>450 °F</b>

### HOW TO ORDER

Specify:

- Model \_\_\_\_\_
- Sizes and type of connection \_\_\_\_\_
- Optional, if necessary \_\_\_\_\_

**Example:** 1 Thermaflo Float Trap FTV-141  
1/2" body with NPT connections

### DIMENSIONS & WEIGHT (INCHES & POUNDS)

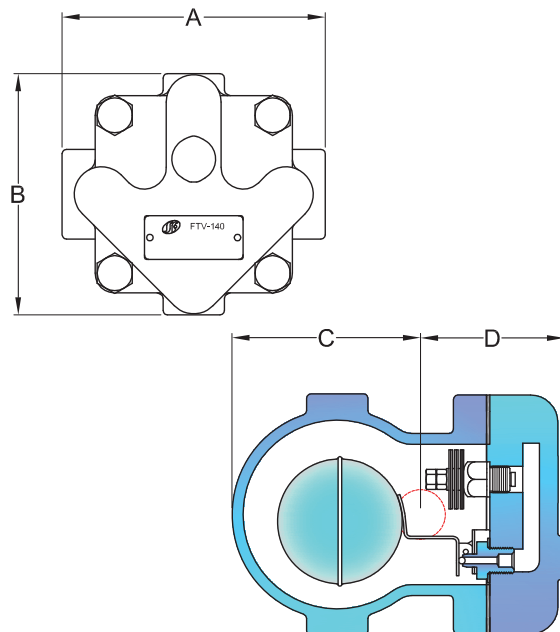
DN	A	B	C	D	Weight
1/2"	5.12	4.33	3.78	2.68	8.60
3/4"	5.12	4.33	3.39	2.68	8.60
1"	5.12	4.33	3.78	2.68	16.09

### AVAILABLE MODELS

FTV-141: Max. differential pressure 200 psig

FTV-142: Max. differential pressure 145 psig

FTV-143: Max. differential pressure 65 psig



### CAPACITY

Model	Sizes	Orifices	DIFFERENTIAL PRESSURE - ΔP (psig) x Q (lb/h)											
			0	5	10	15	20	30	50	60	101	142	175	202
FTV-141	1/2", 3/4"	0.07	85	150	203	243	287	331	375	419	507	617	639	683
FTV-141	1"	0.13	134	265	331	375	441	507	639	705	882	992	1,058	1,102
FTV-142	1/2", 3/4"	0.10	121	220	287	353	397	463	573	639	772	882	-	-
FTV-142	1"	0.15	309	529	639	750	838	1,014	1,213	1,323	1,565	1,764	-	-
FTV-143	1/2", 3/4"	0.15	309	529	639	750	838	1,014	1,213	1,323	-	-	-	-
FTV-143	1"	0.22	661	1,080	1,323	1,543	1,676	1,984	2,425	2,756	-	-	-	-