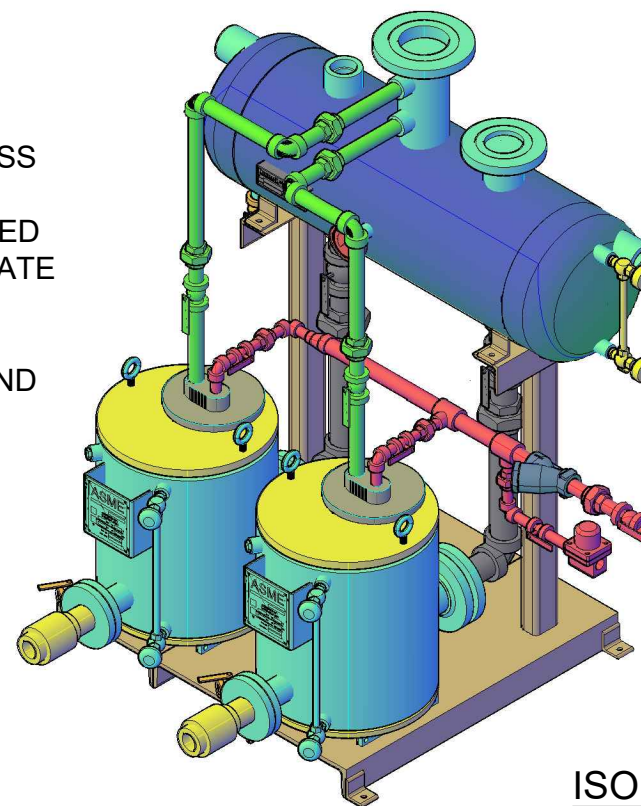
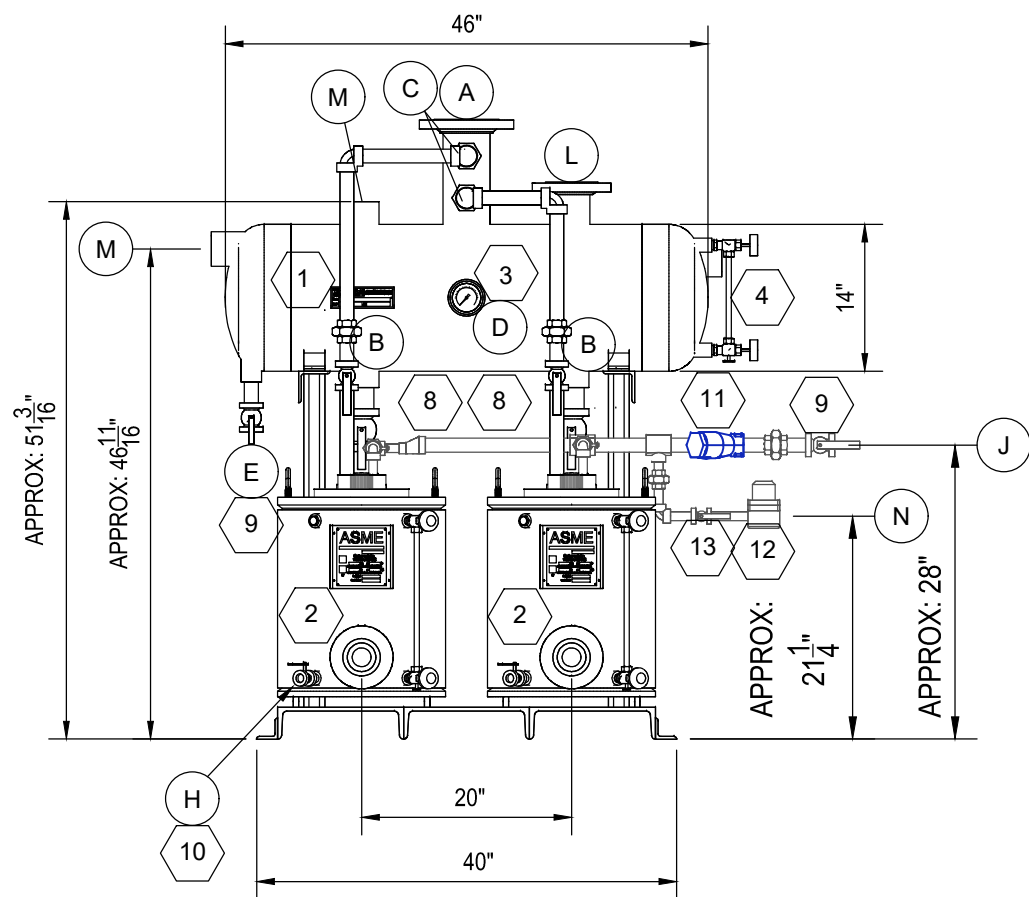


PLAN VIEW

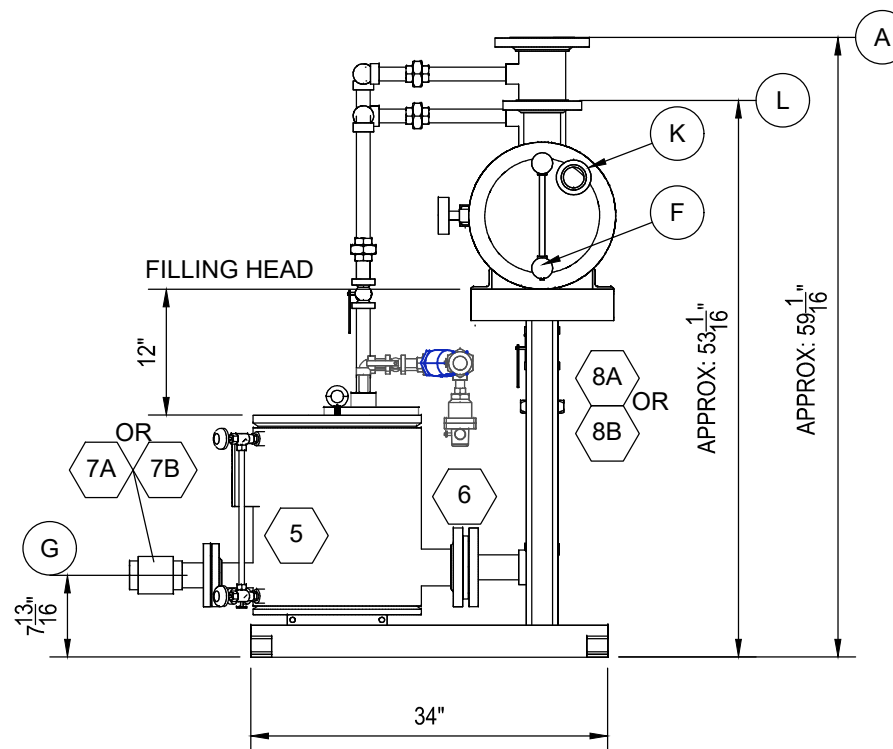
- FEATURES AND BENEFITS:
- > SINGLE SPRING COMPRESSION MECHANISM
  - FIVE MILLION CYCLES STANDARD
  - > INCONEL X SPRING AND STAINLESS STEEL INTERNALS
  - > ASME CODE SECTION VIII CERTIFIED
  - > COMPLETE PACKAGED CONDENSATE SYSTEM
  - > NO SEALS OR CONTROL PANELS
  - > PUMPS CONDENSATE AT 212°F AND ABOVE STANDARD



ISOMETRIC



FRONT VIEW



RIGHT SIDE VIEW

NOTE: 150# ASME CONDENSATE RECEIVER AVAILABLE

NOTE: MAX FLASH STEAM TO ATMOSPHERE FOR 4" VENT 600LBS/HR  
IF FLASH STEAM EXCEEDS 800LBS/HR CONTACT FACTORY TO AVOID ADVERSE PUMP OPERATION

SHIPPING WEIGHT: 850 LBS DIM TOL= +/- 1/2"

DESIGN DATA			
CONDENSATE TANK		ATMOSPHERIC - NOT RATED	
CONDITION OF SERVICE AND PERFORMANCE DATA			
STEAM MOTIVE PRESSURE		SEE	
CONDENSATE BACKPRESSURE		CHART	
PUMP CAPACITY EACH		BELOW	
MATERIALS of CONSTRUCTION			
TANK SHELL		ASME HEAVY SHELL CARBON STEEL	
STAND		CARBON STEEL	
PIPING		CARBON STEEL	
PUMP		304 STAINLESS STEEL SHELL/SA-516 GR70 HEADS	
BILL of MATERIALS			
ITEM	QTY	DESCRIPTION	
1	1	THERMAFLO CONDENSATE ASME TANK, 14X46 OAL, 30 GALLON, HEAVY SHELL	
2	2	THERMAFLO ENGINEERING MODEL POP-LP ASME CODE PRESSURE OPERATED CONDENSATE PUMP, STAINLESS STEEL INTERNAL MECHANISM	
3	1	3" BIMETAL THERMOMETER W/SS WELL, 0-250F	
4	1	10" CONBRACO MODEL 24-350 SIGHT LEVEL GAUGE	
5	2	14.5" CONBRACO MODEL 24-350 SIGHT LEVEL GAUGE	
6	2	3" MODEL CV 125S, INLET CHECK VALVE, STAINLESS STEEL BODY AND TRIM	
7A	2	1-1/2" MODEL 6800, OUTLET CHECK VALVE, STAINLESS STEEL BODY AND TRIM	
7B	2	2" MODEL 6800, OUTLET CHECK VALVE, STAINLESS STEEL BODY AND TRIM	
8A	2	1-1/2" 3700 DRAIN BALL VALVE, FULL PORT	
8B	2	2" 3700 DRAIN BALL VALVE, FULL PORT	
9	4	1" 3700 DRAIN BALL VALVE, FULL PORT	
10	5	1/2" 3700 DRAIN BALL VALVE, FULL PORT	
11	1	1" THERMAFLO YS-12 CAST IRON STRAINER	
12	1	1/2" THERMAFLO TT-300 THERMOSTATIC STEAM TRAP	
NOZZLES and CONNECTIONS			
ITEM	SIZE (IN)	TYPE & RATING	SERVICE
A	4	150# FLG	VENT
B	1-1/2 OR 2	150# FLG	PUMP FEED
C	1	NPT	PUMP EXHAUST
D	3/4	NPT	TEMPERATURE GAUGE
E	1	NPT	DRAIN
F	1/2	NPT	SIGHT LEVEL
G	1-1/2 OR 2	NPT	PUMP OUTLET
H	1/2	NPT	SIGHT LEVEL / DRAIN
J	1	NPT	PUMP MOTIVE
K	2	NPT	OVERFLOW
L	2	150# FLG	CONDENSATE INLET
M	2	NPT	CONDENSATE INLET
N	1/2	NPT	CONDENSATE OUTLET

CAPACITIES STEAM MOTIVE CONDENSATE LBS/HR  
STANDARD-DUPLEX-POP-LP

STEAM MOTIVE PRESSURE PSIG	TOTAL BACK PRESSURE PSIG	1.5" x 1.5"	
		12" FILL HEAD	2" x 2"
10	5	3,936	6,540
10	2	5,472	11,385
25	15	6,124	9,040
25	10	7,022	11,712
25	5	8,320	13,936
50	40	4,112	6,160
50	25	7,344	12,240
50	10	9,222	13,380
75	40	7,054	10,656
75	15	10,032	15,280
100	60	7,040	10,064
100	40	9,169	12,416
100	25	10,582	14,730
125	115	4,352	5,888
125	80	7,216	9,968
125	60	8,518	12,128
125	40	10,454	13,952
125	25	11,721	14,900
150	100	6,294	7,360
150	80	7,444	9,104
150	60	8,944	11,152
150	40	10,331	13,088
150	25	14,190	15,142

**THERMAFLO** INC. Since 1986  
Manufacturers Of Steam Fired Specialty Equipment  
2880 Fair Avenue, Newberry, SC 29108  
(704) 940-1228 www.thermafloengineering.com

DESCRIPTION: STANDARD PRE-PIPED MOTIVE & EXHAUST POP-LP-D-3012-PP-DUPLEX PRESSURE OPERATED PUMP SYSTEM		JOB #		DATE: 07-20-20	
CUSTOMER:		QTY.		REV. #	
SCALE:	DRAWN: RSP	PO #	PLAN #	FILE: POP-LP-D-3012-DUPLEX	PAGE: 1 OF 1