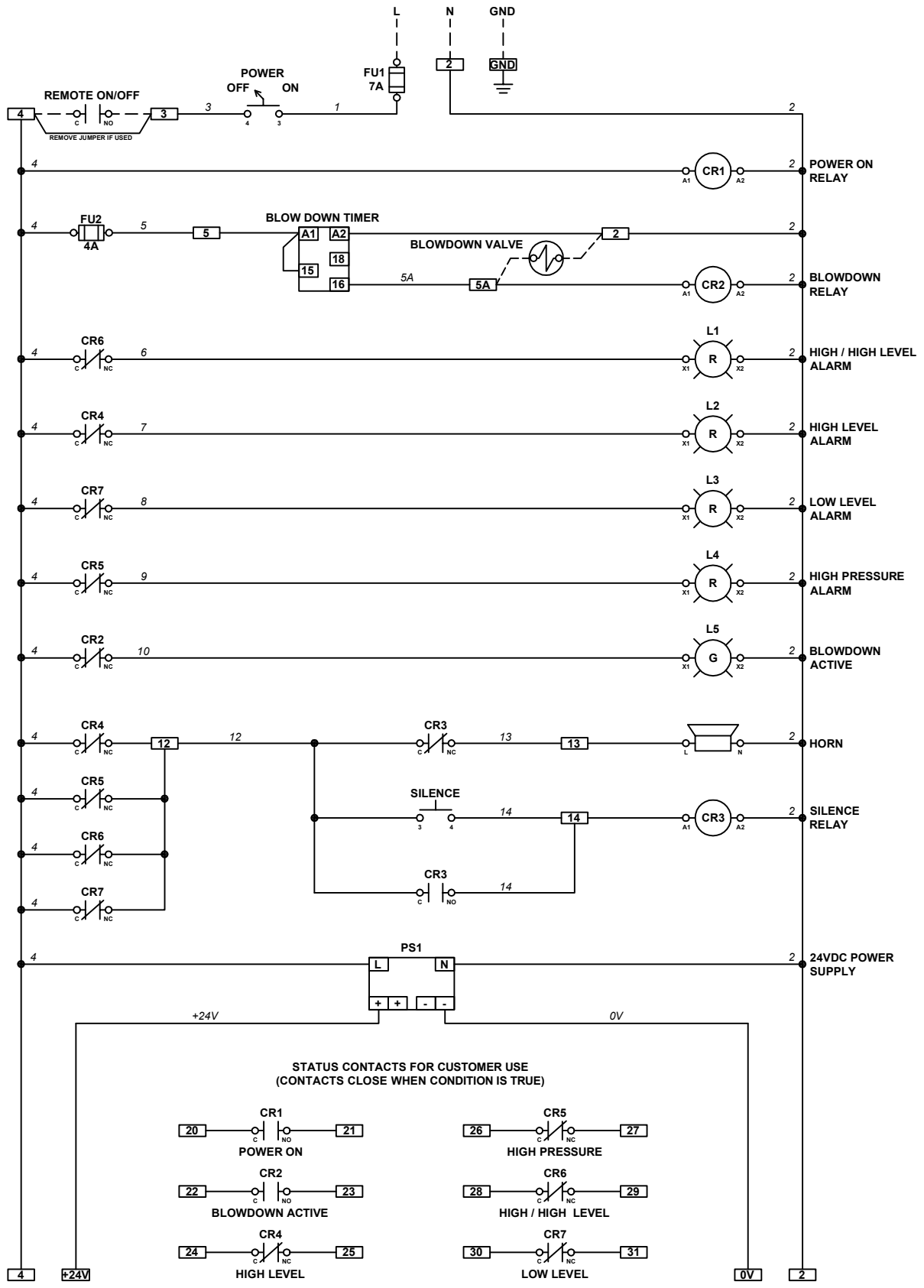


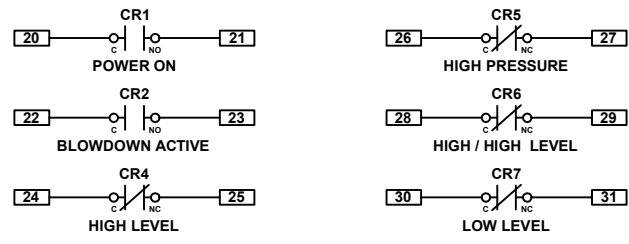
1 2 3 4 5

MAIN DISCONNECT AND BRANCH CIRCUIT PROTECTION BY INSTALLER.

120V / 1 PHASE / 60HZ
4.6FLA



STATUS CONTACTS FOR CUSTOMER USE
(CONTACTS CLOSE WHEN CONDITION IS TRUE)



----- INDICATES FIELD WIRING

THERMAFLO CLEAN STEAM GENERATOR PANEL 2020					
REV	DESCRIPTION	DATE	DRAWN	J. RAY	
0	ORIGINAL RELEASE	16SEP2020	CHECKED		
1			SUP. NO.		DRAWING TYPE
2			SUP. BY NO.		ELECTRICAL SCHEMATIC
3			PANEL NO.		DRAWING NO.
4			BUL. NO.		
5			GROUP NO.		
6			ORDER NO.		

ES110438

SHEET 1 OF 3

A
B
C
D
E
F
G

