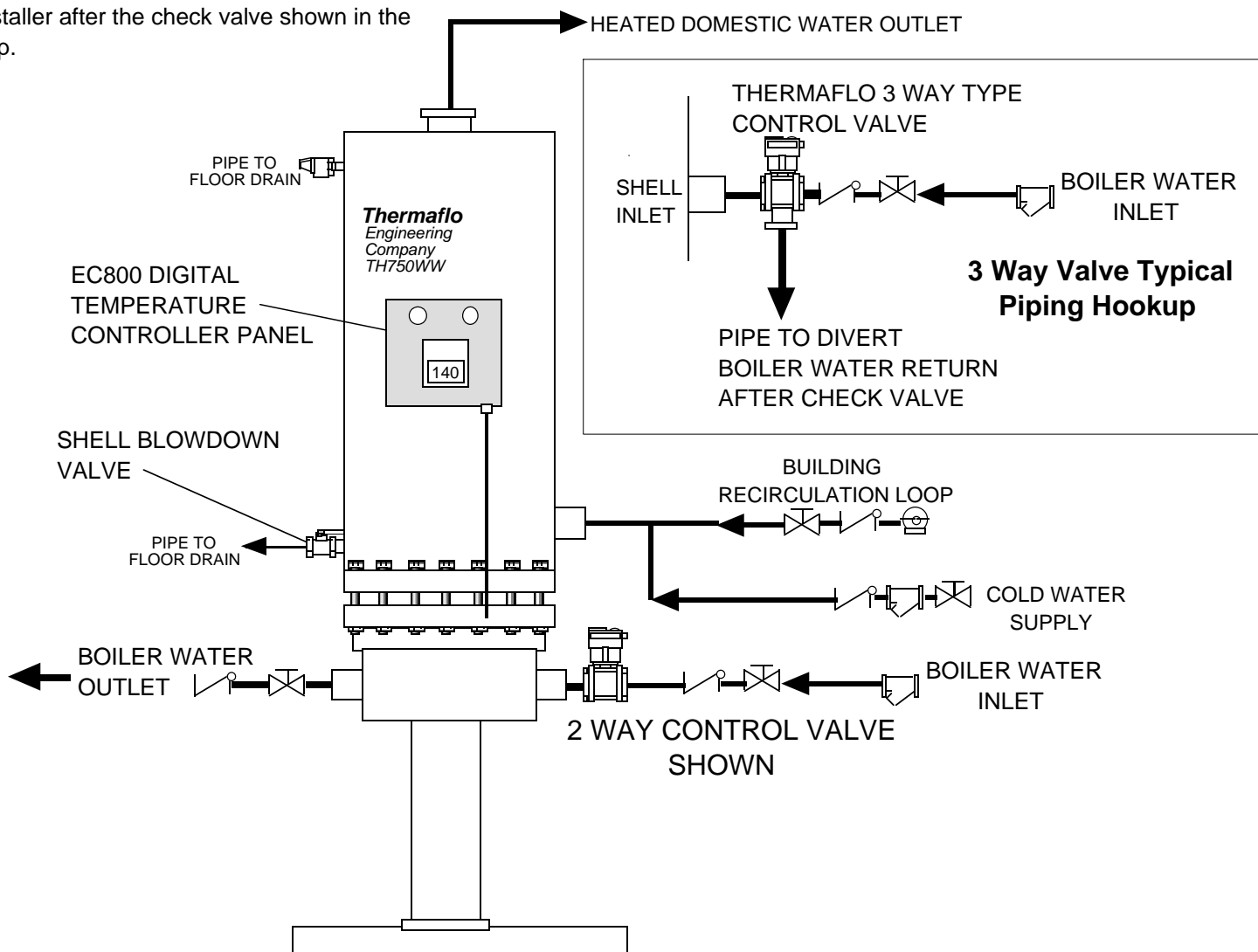
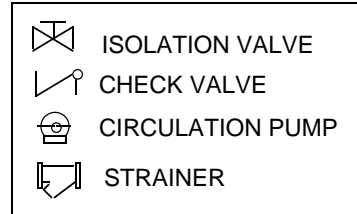




TH-750V WW Water to Water Single Unit Piping Hookup

The TH750WW can be equipped with either a 2 way or a 3 way Electronic Control Valve which controls the flow of Boiler Water into the tube side so that the outlet Domestic Water flowing from the shell will be maintained at a precise controlled point.

If you are using the 3 Way valve it will be fitted with a third diverting port as shown on the 3 way valve hookup. The diverting port will be piped into the boiler water return by the installer after the check valve shown in the hookup.



- NOTES:
1. Contractor or Installer responsible for the exterior hookup piping, isolation valves, strainers, expansion tank, and recirculation systems as shown.
 2. The 2 OR 3 Way Diverting Control Valve used by Thermaflo is electronic and provides full proportional control of the boiler water into the shell. The valve fails closed on no power, or loss of power. Fail mode of the 2 way is closed and the 3 way diverts all boiler water to the divert port.
 3. This is a typical hookup shown. All local codes and engineer specifications should be followed.
 4. Always consult your specific submittal data for the complete details on valve type and connections.