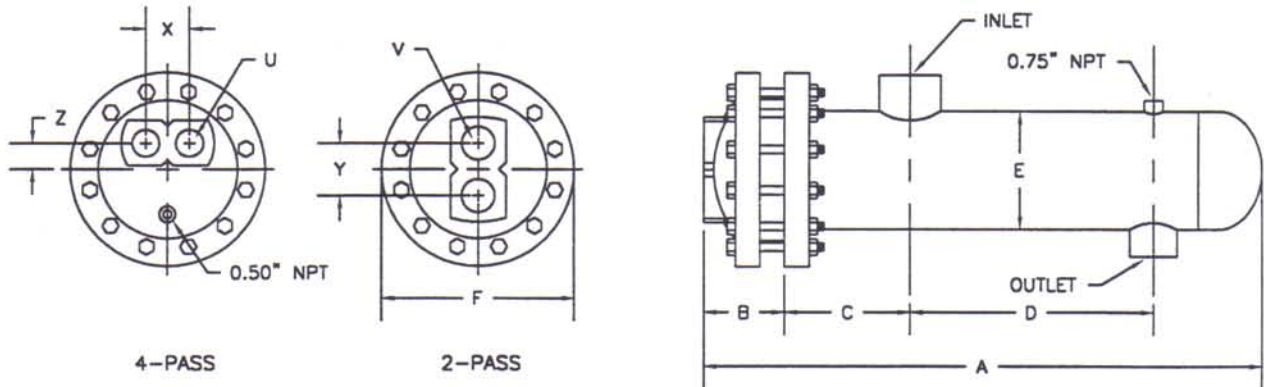


## SUBMITTAL DATA

### 6" DIA. STEAM TO WATER U-TUBE HEAT EXCHANGER



MODEL NO.	HEAT EXCHANGER								2 PASS			4 PASS			
	A	B	C	D	E	F	INLET	OUTLET	Y	V	SQ. FT.	X	Z	U	SQ. FT.
S624(*)A	30.01			12.75							8.0				8.0
S636(*)A	42.01			24.75							12.8				12.8
S648(*)A	54.01			36.75							17.6				17.6
S660(*)A	66.01			48.75							22.4				22.4
S672(*)A	78.01	3.13	6.00	60.75	6.63	11.00	3" NPT	1.5" NPT	3.75	2" NPT	27.1	2.69	1.25	1.5" NPT	27.1
S684(*)A	90.01			72.75							31.9				31.9
S696(*)A	102.01			84.75							36.7				36.7
S6108(*)A	114.01			96.75							41.5				41.5
S6120(*)A	126.01			108.75							46.3				46.3

(\*) INSERT NUMBER OF PASSES.

#### MATERIALS OF CONSTRUCTION

PART	MATERIAL
HEAD	CAST IRON
SHELL	STEEL
TUBE SHEET	STEEL
TUBING	3/4" O.D. COPPER
BAFFLES	STEEL
CAGE MATERIAL	STEEL

DESIGNED & CONSTRUCTED PER ASME SECT VIII DIV 1

#### MAXIMUM OPERATING CONDITIONS

TUBE SIDE WORKING PRESSURE	150 PSI
SHELL SIDE WORKING PRESSURE	150 PSI
HYDROSTATIC TEST PRESSURE TUBE SIDE	300 PSI
HYDROSTATIC TEST PRESSURE SHELL SIDE	225 PSI
MAXIMUM TEMPERATURE TUBE SIDE	375°F
MAXIMUM TEMPERATURE SHELL SIDE	375°F

JOB NAME \_\_\_\_\_  
 LOCATION \_\_\_\_\_  
 ENGINEER \_\_\_\_\_  
 CONTRACTOR \_\_\_\_\_  
 SALES REP. \_\_\_\_\_

S6CLDWG REV: A

#### MODEL NO. ORDERED

STEAM PRESSURE	
ENT TEMP.	LEAV TEMP
TUBE SIDE FLOW	LIQUID
FOULING FACTOR	SQ FT
TUBE SIDE PRESSURE DROP	FT
VELOCITY	FT/SEC