

Steam Traps

MDT-420

Thermodynamic Steam Trap



MDT421 is a thermodynamic steam trap designed to remove condensate from steam mains ,tracers, and those applications where the release of condensate near steam temperature is required. It is manufactured in stainless steel and all external surfaces with expanded flash chambers, which allows better thermal efficiency and superior life cycle performance, with "NO LIVE STEAM LOSS". It is unaffected by water hammer and vibration. Its hardened stainless steel disc ensures intermittent soft discharge with dead tight shutoff. It can be supplied with screwed connections NPT (ANSI-B1.20.1). Flanges according to ANSI-B16.class.



PRODUCT DATA

Product Family	MDT
Sizes	1/2", 3/4" and 1"
Connections	NPT Screwed, Flanged
Body Material	ASTM A743 CA40F SS
Options	Insulated Cover
PMO Max. Oper. Pressure	600 psig
TMO Max. Oper. Temperature	842 °F
Min. Inlet Pressure	3.56 psig
Maximum Backpressure	80% of Operating Pressure

HOW TO ORDER

Specify:

- Model
- Sizes and type of connection
- Optional, if necessary

Example: 1 SF International Thermodynamic Steam Trap model MDT-421 with 1/2" body and npt connections.

DIMENSIONS & WEIGHT (INCHES & POUNDS)

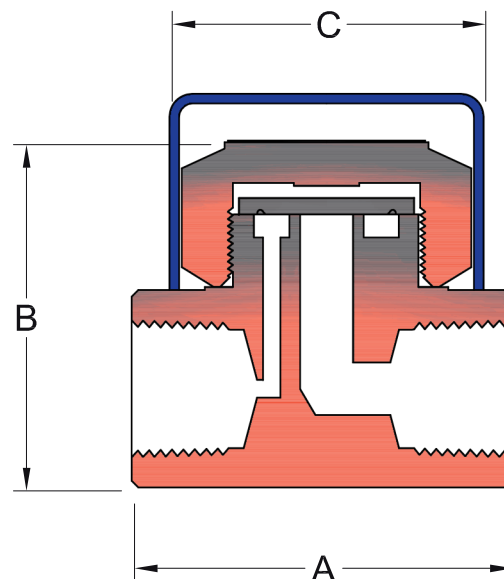
Size	A	B	C	Weight
1/2"	1.97	2.13	1.50	0.88
3/4"	2.28	2.36	1.65	1.32
1"	2.76	2.99	2.09	2.43

AVAILABLE MODELS

MDT-421: Saturated Steam

MDT-421LC Low Capacity

MDT-421LC Recommended for all main drip and tracer services for prolonged life



CAPACITY Multiply Capacities for 1/2" and 3/4" Size for Model 421L x .75

Model	Sizes	DIFFERENTIAL PRESSURE - ΔP (psig) x Q (lb/h)											
		10	50	100	150	200	250	300	350	400	500	550	600
MDT-421	1/2"	375	617	860	1,080	1,279	1,389	1,543	1,587	1,720	1,764	1,786	1,808
	3/4"	441	772	1,102	1,323	1,565	1,764	1,984	2,205	2,381	2,535	2,756	2,866
	1"	661	1,301	1,764	2,205	2,590	2,866	3,153	3,461	3,704	3,968	4,233	4,519

Steam Traps

MDT-420

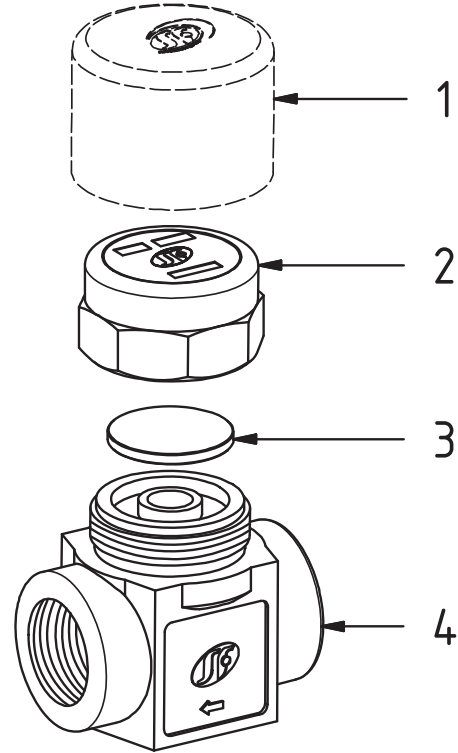
Thermodynamic Steam Trap

COMPONENTS AND MATERIALS

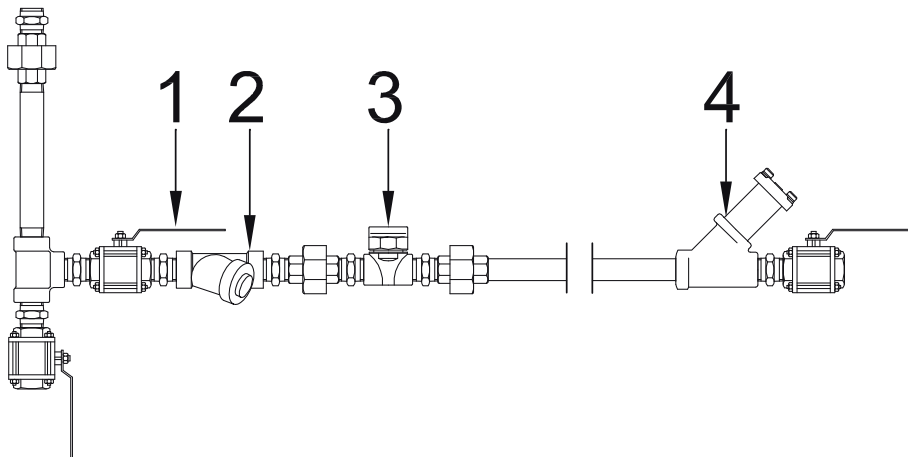
Pos.	Description	Material
1	Insulated Cover	Aluminium
2	Cover	ASTM A743 CA40F
3	Disc	AISI 420 SS
4	Body	ASTM A743 CA40F

HOW TO ORDER SPARE PARTS

Model	Description	Pos.	1/2"	3/4"	1"
MDT421	Disc	3	16,991	16,992	16,994
	Insulated Cover	1	17,068	17,071	17,074



TYPICAL INSTALLATION



Title:	
1	Stop Valve
2	Y Strainer
3	Steam Trap
4	Sight Glass

INSTALLATION INSTRUCTIONS

This Steam Trap should be installed in a horizontal pipeline with the direction of flow as indicated by the arrow on the trap body.

PRODUCT DISPOSAL

This product is totally recyclable. No ecological hazard is anticipated with the disposal of this product.

SAFETY, INSTALLATION AND MAINTENANCE

For safety, installation and maintenance information see instructions supplied with the product (MI-0101-37).

Thermaflo/SF Steam and Condensate Products Group P.O. Box 473639 Charlotte, NC 28247

www.sfsteamna.com Phone: 704-940-1228 email: rfj@thermafloengineering.com

Steam and Condensate Specialty Products and Heat Transfer Equipment