

Steam Traps

FTV-270 1 1/2" & 2"

Float & Thermostatic Traps



FTV-270 is a Ball float steam trap designed to remove condensate from steam and it is recommended for high condensate flow equipments such as evaporators, drying cylinders, air dryers, etc. It can be supplied with Air Vent (EAR) Release as standard or Steam Lock Release (SLR) as optional. It can be easily maintained even when installed, its discharge orifices below the condensate level of steam trap prevent trap against live steam leakage. It can be supplied with screwed connections NPT (ANSI-B1.20.1). Flanges according to ANSI-B16.5 class. Contact factory for other connection options.



FEATURES

Product Family	FTV-270
Sizes	1 1/2" and 2"
Connections	Screwed, Flanged
Body Material	GGG 40.3 Ductile Iron
Options	SLR - Steam Lock Release
PMO Max. Oper. Pressure	250 psig
TMO Max. Oper. Temperature	425 °F

AVAILABLE MODELS

FTV-271: Max. differential pressure 200 psig

FTV-272: Max. differential pressure 145 psig

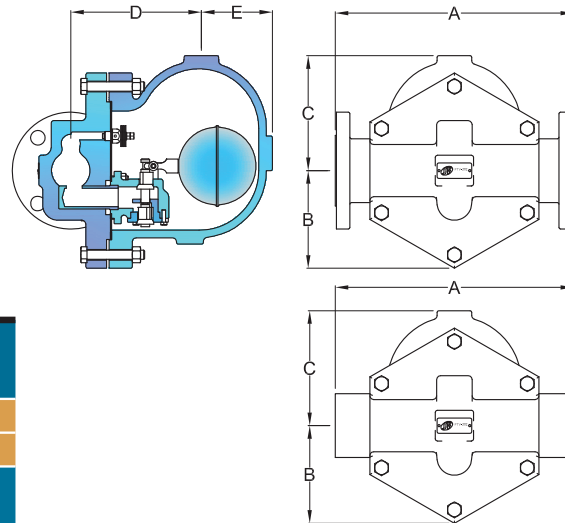
FTV-273: Max. differential pressure 65 psig

HOW TO ORDER

Specify:

- Model
- Sizes and type of connection

Example: (1) SF Thermaflo model FTV271 Float and Thermostatic Steam Trap with npt end connections .



DIMENSIONS & WEIGHT (INCHES & POUNDS)

DN	A	B	C	D	E	Weight	
1 1/2"	10.63	4.65	5.31	6.38	3.35	44.09	
2"	11.89	5.00	5.91	6.61	3.62	66.14	
DN	A		B	C	D	E	Weight
	150#	300#					
1 1/2"	12.28	12.28	4.65	5.31	6.38	3.35	44.09
2"	12.64	12.87	5.00	5.91	6.61	3.62	66.14

CAPACITY

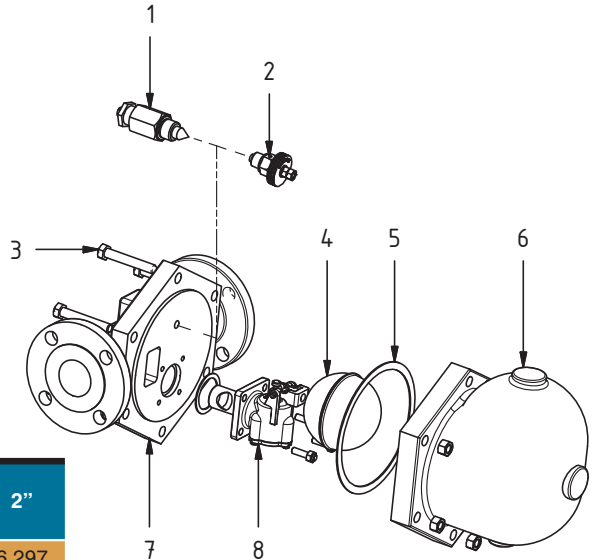
Model	Sizes	Orifices	DIFFERENTIAL PRESSURE - ΔP (psig) x Q (lb/h)											
			.25	.5	5	15	20	30	50	65	100	145	175	200
FTV-271	1 1/2"	0.50 / 0.53	530	560	1,768	2,899	3,831	1,010	1,259	1,367	1,720	2,035	2,213	2,352
FTV-271	2"	0.69 / 0.71	695	1,102	3,418	5,798	6,758	8,189	10,735	11,381	14,916	17,829	19,856	21,106
FTV-272	1 1/2"	0.56 / 0.60	685	860	2,700	5,179	6,283	8,016	8,746	11,158	13,323	16,945	-	-
FTV-272	2"	0.81 / 0.85	1,860	2,315	7,166	12,425	14,253	17,295	22,068	24,074	30,719	36,676	-	-
FTV-273	1 1/2"	0.68 / 0.75	1,150	1,378	4,388	9,136	10,481	12,718	16,228	17,703	-	-	-	-
FTV-273	2"	1.06 / 1.10	3,470	4,530	14,332	30,878	35,419	42,979	54,836	60,142	-	-	-	-

FTV-270 1 1/2" & 2"

Float & Thermostatic Traps

COMPONENTS AND MATERIALS

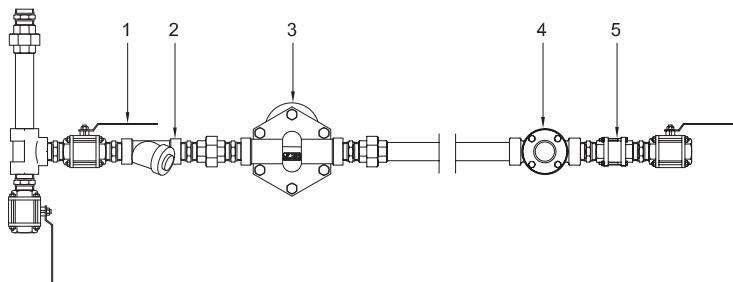
Pos.	Description	Material
1	Air Vent Bimetal	AISI 304 SS
2	Steam Lock Release	AISI 304 SS
3	Head Screw	Carbon Steel 8.8 fosfate
4	Float Assy	AISI 304 SS
5	Gasket	Non asbestos
6	Body	GGG 40.3 Ductile Iron
7	Cover	GGG 40.3 Ductile Iron
8	Mechanism Assy	AISI 304 SS



HOW TO ORDER SPARE PARTS

Model	Description	Part	1 1/2"	2"
FTV271	Mechanism	8	6,296	6,297
	Float	4	6,303	6,303
	Gasket	5	6,310	6,310
	Air Vent Assy	1	2,320	2,320
	Steam Lock Release Assy	2	6,322	6,308
FTV272	Mechanism	8	6,298	6,299
	Float	4	6,303	6,303
	Gasket	5	6,310	6,310
	Air Vent Assy	1	2,320	2,320
	Steam Lock Release Assy	2	6,322	6,308
FTV273	Mechanism	8	6,300	6,301
	Float	4	6,303	6,303
	Gasket	5	6,310	6,310
	Air Vent Assy	1	2,320	2,320
	Steam Lock Release Assy	2	6,322	6,308

TYPICAL INSTALLATION



Title:	
1	Stop Valve
2	Y Strainer
3	Steam Trap
4	Sight Glass
5	Check Valve

PRODUCT DISPOSAL

This product is totally recyclable. No ecological hazard is anticipated with the disposal of this product.

SAFETY, INSTALLATION AND MAINTENANCE

For safety, installation and maintenance information see instructions supplied with the product (MI-0102-46).