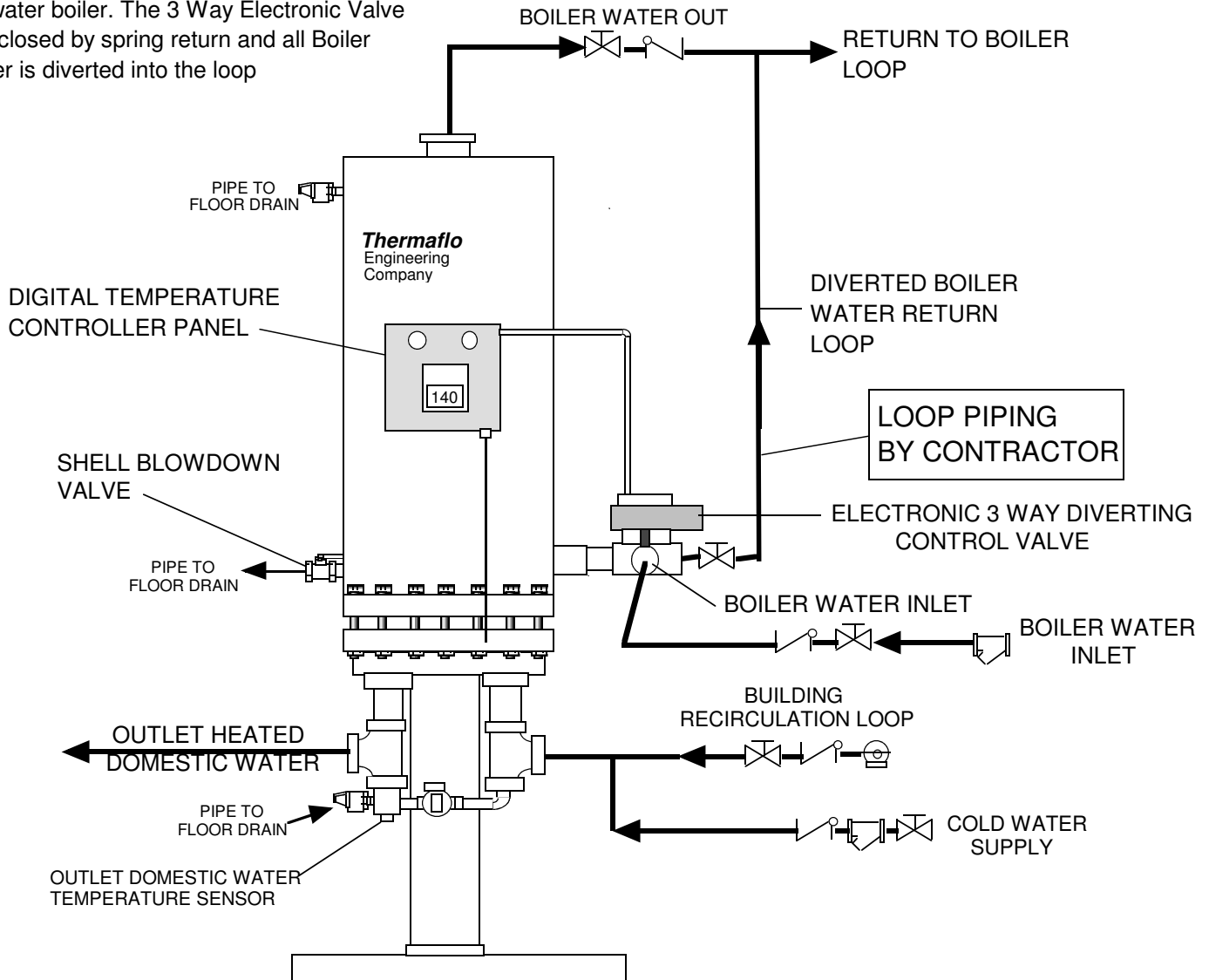


TH-750V WW Water to Water Single Unit Piping Hookup

The 3 Way Electronic Control Valve controls the flow of Boiler Water into the shell so that the outlet Domestic Water flowing from the tubes will be maintained at a precise controlled point. As set point is reached the control valve proportionally diverts Boiler water into the return loop and back to the hot water boiler. The 3 Way Electronic Valve fails closed by spring return and all Boiler Water is diverted into the loop



- NOTES:
1. Contractor or Installer responsible for the exterior hookup piping, isolation valves, strainers, and recirculation systems as shown.
 2. The 3 Way Diverting Control Valve used by Thermaflo is electronic and provides full proportional control of the boiler water into the shell. The valve fails closed on no power, or loss of power. Fail mode diverts all boiler water back to the return loop.
 3. This is a typical hookup shown. All local codes and engineer specifications should be followed.