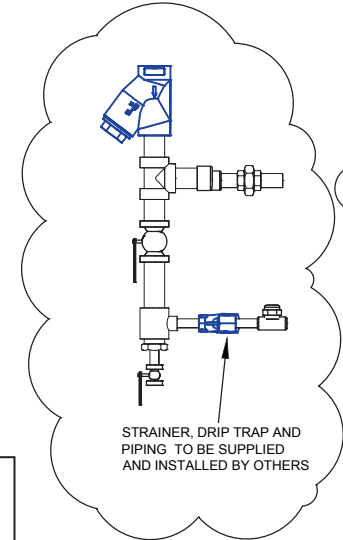
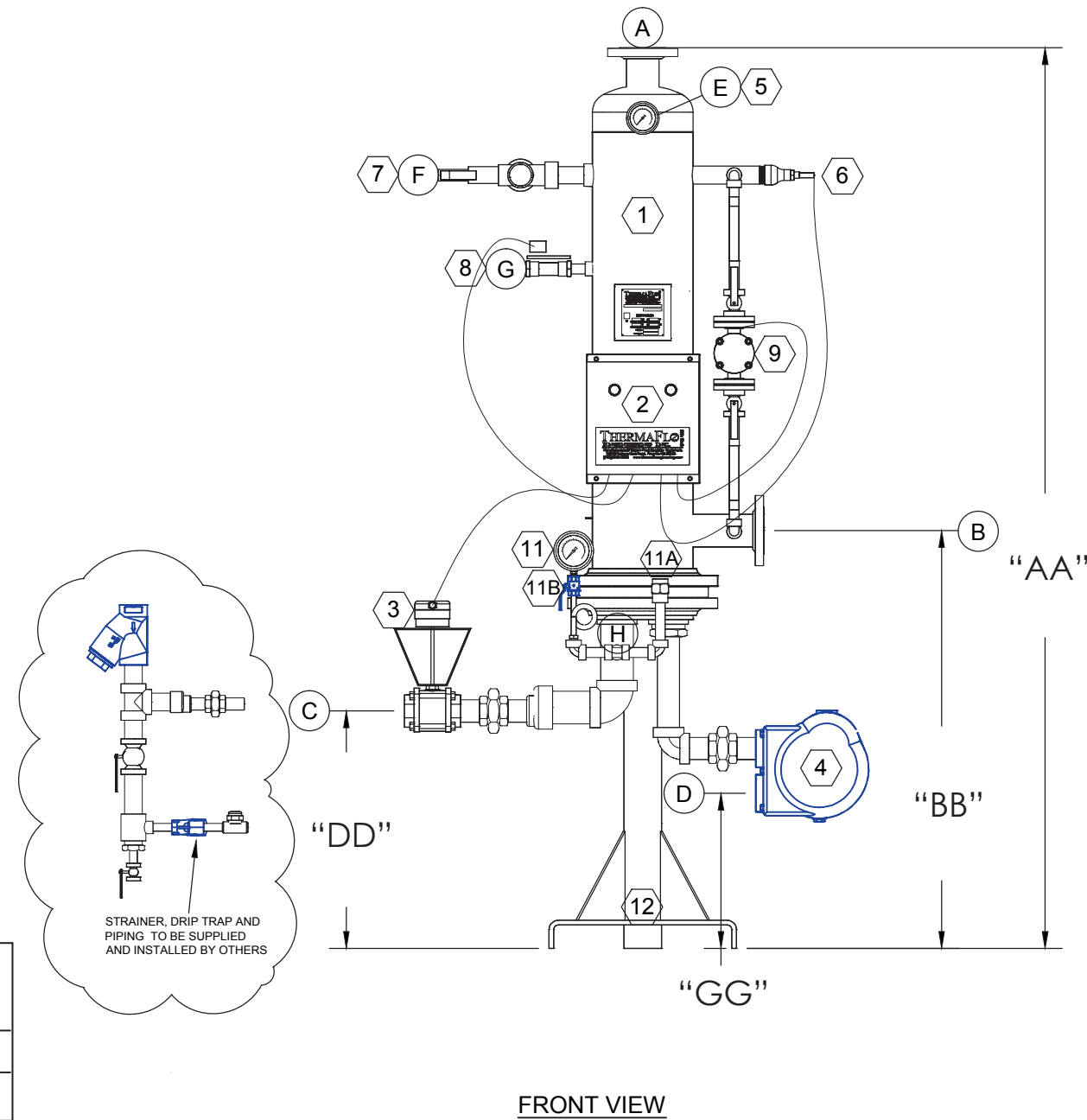
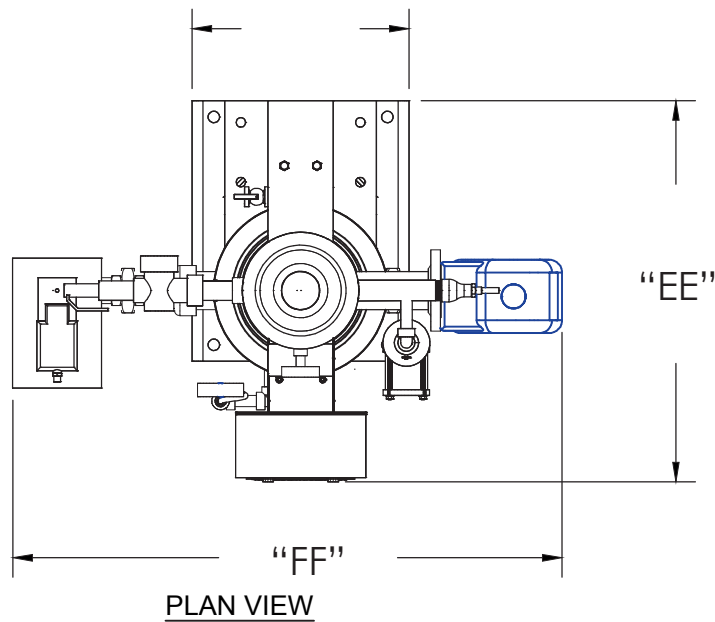


MODEL TH750V-10 [REDACTED] -DWEN

| NOZZLES & CONNECTIONS | | |
|-----------------------|------------------------|-------------------------|
| MODEL | 1036/1048 | |
| ITEM | SIZE, TYPE | SERVICE |
| A | 3" FLANGED | COLD WATER INLET |
| B | 3" FLANGED | HOT WATER INLET |
| C | SEE TH750-SIZING CHART | CONTROL VALVE INLET |
| D | 2.0" NPT | CONDENSATE OUTLET |
| E | 1" NPT | P & T RELIEF |
| F | .75 NPT | HIGH TEMP SOLENOID VLV. |
| G | 1" NPT | DRAIN |
| H | .75 NPT | TEMPERATURE GAUGE |

24" X 20"



| STANDARD DIMENSIONS STEAM / WATER | | | | | | | | | |
|--------------------------------------|------|------|------|------|------|------|------|--------------|-----|
| MODEL # | | | | | | | | WEIGHT (lbs) | |
| TH750V | "AA" | "BB" | "CC" | "DD" | "EE" | "FF" | "GG" | DRY | WET |
| 1036 | 95" | 44" | 20" | 26" | 24" | 36" | 16" | 525 | 575 |
| 1048 | 107" | 56" | 20" | 38" | 24" | 36" | 28" | 545 | 595 |

CONDITIONS OF SERVICE:

DOMESTIC WATER FLOW: [REDACTED] GPM
 INLET TEMP: [REDACTED] F°
 OUTLET TEMP: [REDACTED] F°
 INLET STEAM PRESSURE TO CONTROL VALVE [REDACTED] PSIG*
 STEAM CAPACITY REQUIRED: [REDACTED] LBS/HR

| ITEM | CONNECTION | SIZE, TYPE, PN | SERVICE |
|------------|------------|----------------|---------------|
| 3 | E | [REDACTED] | P & T RELIEF |
| 4 | C | [REDACTED] | CONTROL VALVE |
| 5 | D | [REDACTED] | STEAM TRAP |
| [REDACTED] | [REDACTED] | [REDACTED] | [REDACTED] |
| [REDACTED] | [REDACTED] | [REDACTED] | [REDACTED] |

| BILL OF MATERIAL | |
|------------------|---|
| ITEM | DESCRIPTION |
| 1 | Thermaflo 316L SS ASME CODE STAMPED SHELL, DOUBLE WALL, TUBE BUNDLE, FAB STEEL 2-PASS STEAM HEAD |
| 2 | THERMAFLO ENGINEERING INC. EC-800-EN-PM6 ELECTRONIC CONTROL PANEL. UL LISTED, NEMA 4 ENCLOSURE, WITH PID ELECTRONIC TEMPERATURE CONTROLLER, SAFETY SHUTDOWN SYSTEM, WHITE POWER ON AND RED OVER TEMPERATURE LIGHTS. |
| 3 | CASH ACME PRESSURE AND TEMPERATURE RELIEF VALVE, SET @ 150 PSIG @ 210°F |
| 4 | TYPE BV SERIES ELECTRONIC SYSTEM CONTROL VALVE, ELECTRONIC MODULATING ACTUATOR, FAIL CLOSED. |
| 5 | FLOAT AND THERMOSTATIC STEAM TRAP |
| 6 | 4 1/2 DIAL SS COMPOUND PRESSURE GAUGE 30"-0-30 PSIG 1/4" LOWER MOUNT W/SYPHON, ISOLATION VALVE AND VACUUM BREAKER. |
| 7 | 1/2" RTD WITH 4-20MA INPUT TO THE CONTROLLER |
| 8 | 3/4" HIGH TEMP DUMP SOLENOID VALVE NORMALLY CLOSED/FAIL CLOSED |
| 9 | TACO 009-IFC STAINLESS STEEL CIRCULATION PUMP |
| 10 | 3" DIAL BIMETAL THERMOMETER 0-250°F RANGE WITH STAINLESS STEEL WELL |

| DESIGN DATA | |
|--|-----------------------------|
| ASME CODE SECTION VIII, DIV 1 STAMP UM | |
| SHELL RATED AT 150 PSIG @ 375°F TUBES RATED AT 150 PSIG @ 375°F | |
| MATERIALS OF CONSTRUCTION | |
| SHELL | 316L STAINLESS STEEL |
| TUBESHEET | 304 SS INNER, STEEL OUTER |
| TUBES | DW COPPER .049 WALL 3/4" OD |
| STEAM HEAD | CLOSE GRAIN CAST IRON |
| TAG: [REDACTED] | |

- ASME CODE SECTION VIII DIV.1 UM STAMP CONSTRUCTION
- 100% FACTORY STEAM TESTED BEFORE SHIPMENT
- SINGLE SEATED CONTROL VALVE FOR DEAD TIGHT SHUT OFF ON NO LOAD CONDITIONS
- VERTICAL CROSS FLOW SELF CLEANING TUBE DESIGN
- 316L STAINLESS STEEL SHELL CONSTRUCTION
- FULL SELF TUNING PID DIGITAL CONTROLS
- DOUBLE SAFETY SOLENOID SAFETY HIGH LIMIT SYSTEM FAIL SAFE TEMPERATURE CONTROLLER AND CONTROL VALVE
- SHELL BLOWDOWN VALVE AND EXPANDABLE TUBE DESIGN TO REMOVE INTERNAL SCALE BUILDUP
- 2" THICK INSULATION AIR GLASS & VINYL JACKET
- ALL DIMENSIONS TO HAVE ±1/2" TOLERANCE
- MOUNTING FRAME HAMMERTONE POWDER COATED

NOTE: 1. MASTER BLEND VALVES SHOULD ALWAYS BE USED ON DOMESTIC WATER SYSTEMS TO PREVENT ANY CHANCE OF SCALDING.
 2. PIPE ITEMS 3,8 AND SHELL DRAIN "G" TO SUITABLE FLOOR DRAIN.
 3. NOZZLES WILL NOT SUPPORT EXTERNAL LOADINGS.
 4. TANK & PIPING TO BE FULLY SUPPORTED IN FIELD.
 5. CONTROL VALVE AND FT TRAP SHIPPED LOOSE FOR FIELD REINSTALL AFTER FACTORY TEST

Manufacturers Of Steam Fired Specialty Equipment
 12249 Nations Ford Road, Pineville NC 28134
 (704) 940-1228 www.thermafloengineering.com

DESCRIPTION:
 TH750V-10 [REDACTED] -DWEN STEAM FIRED WATER HEATER

CUSTOMER:
 [REDACTED]

J.O. # [REDACTED] QTY. [REDACTED] DATE: [REDACTED]

SCALE: 1=1 PRINTED: NTS DR. NAL P.O. # [REDACTED]

SALES: [REDACTED] DRAWING # TH750V-10 [REDACTED] -DWEN REV. [REDACTED]

* NOTE: INLET PSIG OVER 50# REQUIRES H.P. OPTION