



BV Series Electronic "V Ball" Steam and High Temperature Hot Water Control Valves

Product Description

The Thermaflo Engineering BV V Ball Series Control Valve provides accurate control of temperature, level, and flow in steam and hot water modulating type applications. The equal percentage V ball is a solid stainless steel machined ball not a seat insert and provides 100:1 flow turn down rangeability. The fail safe modulating electronic actuator eliminates air supply and can be split range controlled when required. High Flow CV coefficients greatly reduce valve sizes, space, and overall weight in piping systems.

Sizes: 1/2" thru 3"

Connections: NPT or Socket Weld

Materials of Construction: 316 Stainless Steel Body, Ball, and Stem
Reinforced Teflon Seats

Max Operating Pressure/Temperature: 400F @ 200 PSIG
(Higher ratings Available)

Maximum Ambient Temperature: 120F

Custom Slotted Ball and CVs Available

BV V Ball Standard Features

Machined 316 Stainless Steel Control Shaft
Non Slip Knurl Pad

Fail Safe Modulating Actuator
0-10V or 4-20ma Control Signal
Input

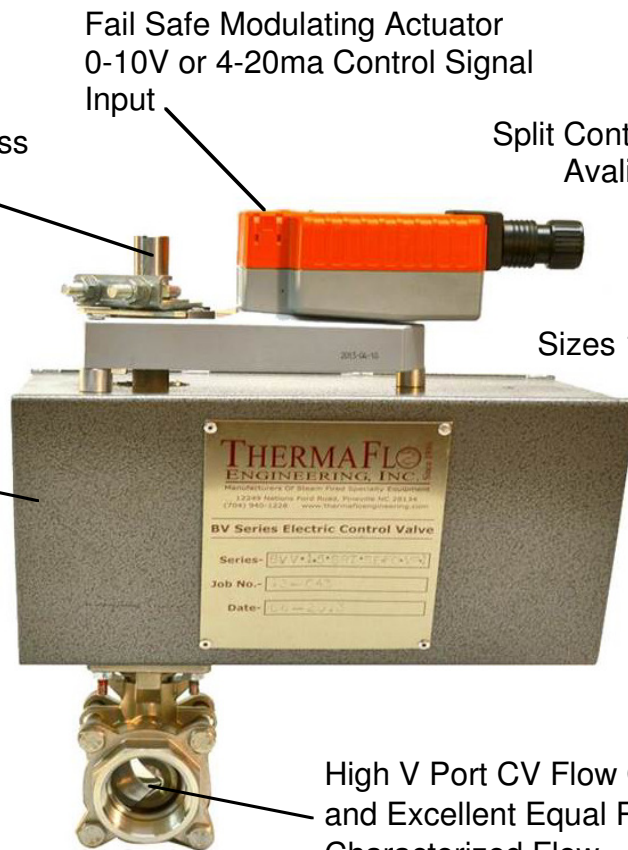
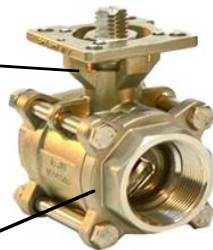
Split Control Ranges Available

Engineered High Temperature Extended Powder Coated Mounting Bracket

Sizes 1/2" to 2"

High Temp Chevron Seat and Stem Seals in a Machined Base Mount

Complete 316 Stainless Steel Body, Ball, and Stem Construction



Bubble Tight Class IV Steam and Hot Water Shutoff

High V Port CV Flow Capacities and Excellent Equal Percentage Characterized Flow



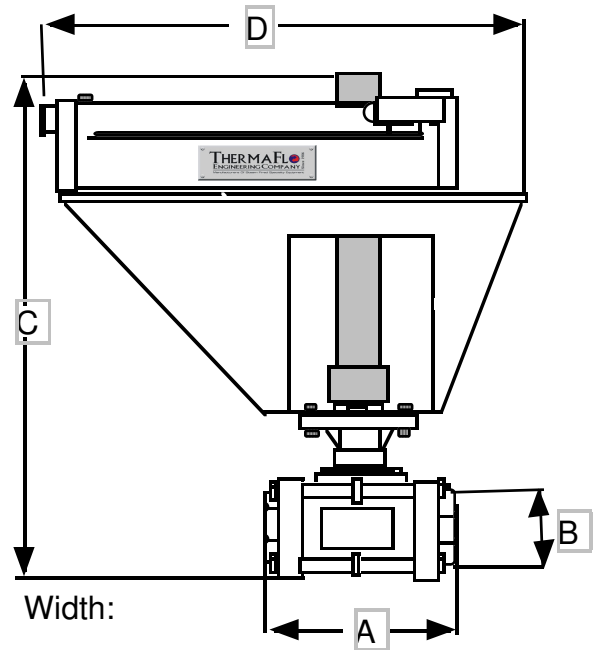
BV Series Electronic "V Ball" Steam and High Temperature Hot Water Control Valves

DIMENSIONS Shown In Inches

VALVE SIZE	A	B	C	D
1/2"	2.6	1.25	10	12
3/4"	2.8	1.5	10	12
1"	3.7	1.7	10	12
1.25"	4.2	2.0	10	12
1.5"	4.5	2.2	10	12
2"	5.0	2.6	10	12

Note: Dimensions may change with inlet pressures over 150 psig due to actuator selection. Consult Factory

FLOW PERFORMANCE DATA				
VALVE SIZE	CV % of Opening			
SIZE	30%	50%	80%	100%
1/2"	.85	2	8	14
3/4"	1	2.6	10	20
1"	2.7	7.7	24	43
1.25"	3	10.2	34	65
1.5"	3	14	48	90
2"	7.2	25	87	167

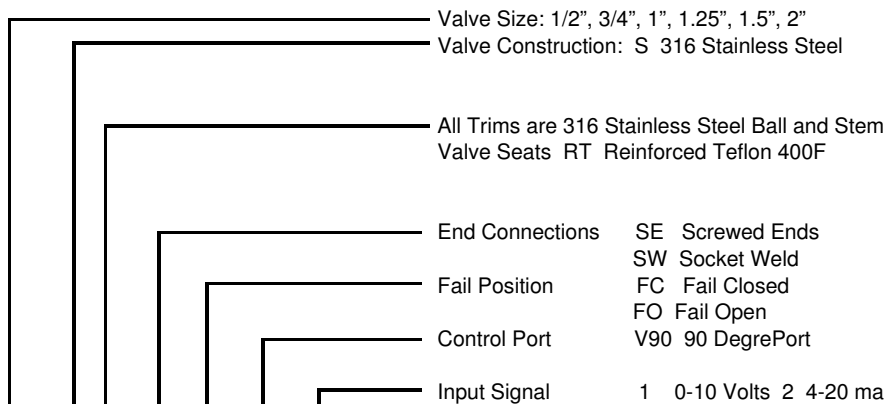


Sizing Notes:

1. Optimum Control Range 30% to 80%.
2. CV Reduced 30% when installed in a pipe where valve size is more than half the pipe size.

Example: 2" Pipe and Control Valve Size 3/4"

BV V Ball Series Model Number Designation



BVV-1" SRT-SE-FCV90-1 NEMA 2 4 (OPTIONAL)