



BV Series Electronic “Fail Safe” Steam and High Temperature Hot Water

The Thermaflo Engineering BV Series Electronic 2 Way Steam and Hot Water ball type control valve combines high flow capacity with a precise fully modulating or on-off electronic “Fail Safe” actuator for precision control of steam and hot water systems. The unique internal equal % design 316 stainless steel ball proportionally controls steam and or hot water for precise temperature, flow, and level control applications such as heat exchangers, feedwater, hot water storage tanks, or hot water recirculation converter systems. The reinforced soft seat provides dead tight shutoff on no demand services.

Sizes: 1/2”, 3/4”, 1”, 1.25”, 1.5” and 2”

Valve Body: Bronze, Carbon Steel, 316 Stainless Steel

Internal Trim: 316 Stainless Steel Reinforced Seats and Seals Class IV Shutoff

Max Working Pressure: Bronze Body: 150 psig / Carbon/Stainless Steel Body: 300 psig

Max Working Temperature: Bronze Body: 366F Stainless Steel Body: 450F

Control Signal Input: 0-10 Volt Modulating 24 Volt Power Required NEMA 2 Standard/ NEMA 4 Optional

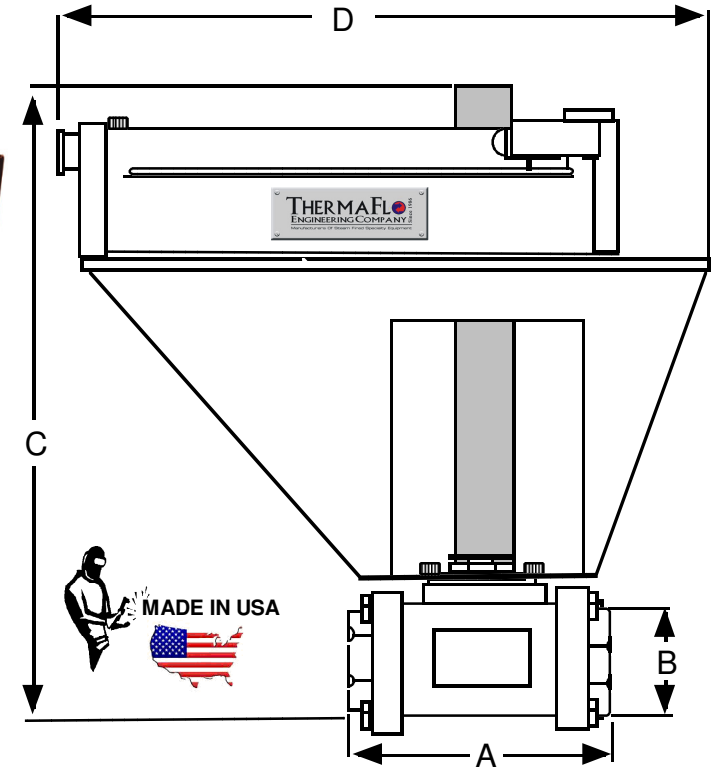
Control Operation: FAIL CLOSED Manual Override

CUSTOM CVs and High Turndown Optional, Larger Sizes Available, V Port Available,

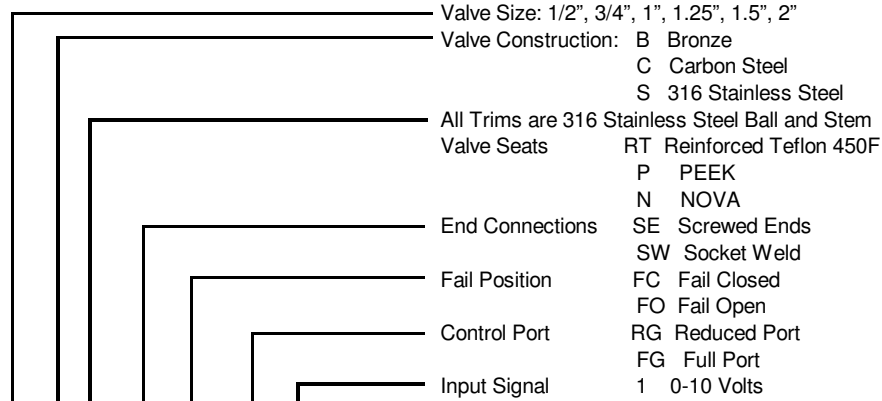
High Temperature PEEK and NOVA Seats Available, 3 Way Available



Carbon Valve with 316 Stainless Steel Trim Shown



BV Series Model Number Designation



BV-1” SRT-SE-FC-RG-1 NEMA 2 4 (OPTIONAL)

PERFORMANCE DATA			DIMENSIONS Shown In Inches				
VALVE SIZE	CV RG Port	CV FG Port	VALVE SIZE	A	B	C	D
1/2”	8	38	1/2”	2.6	1.25	10	12
3/4”	12	71	3/4”	2.8	1.5	10	12
1”	32	110	1”	3.7	1.7	10	12
1.25”	46	230	1.25”	4.2	2.0	10	12
1.5”	80	350	1.5”	4.5	2.2	10	12
2”	120	600	2”	5.0	2.6	10	12

1. CVs Shown at 100% Open.
2. Consult Factory from CVs @ % open.
3. Consult Factory for Specific Application Sizing.

Note: Dimensions may change with inlet pressures over 150 psig due to actuator selection. Consult Factory