

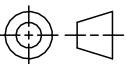
THERMAFLO

ENGINEERING COMPANY


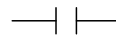

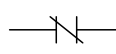
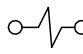
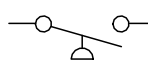

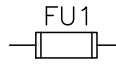
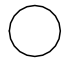
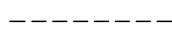

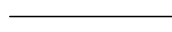
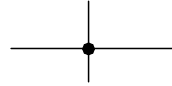
Electric Temperature & Pump Control Panel

MODEL: EC-800-EN-PM3

ELECTRICAL SCHEMATICS


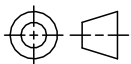
 <p>DO NOT SCALE DRAWING</p>	THERMAFLO ENGINEERING COMPANY <small>MANUFACTURERS of STEAM FIRED SPECIALTY EQUIPMENT</small>		<small>Since 1986</small>	<small>CHK'D BY</small> AS	<small>TITLE</small> ThermaFlo Engineering Co.		
				<small>DRAWN BY</small> MWB	<small>SUBTITLE</small> Electrical Temp. & Pump Control Panel		
	<small>FILE NAME</small> S03532-1.dwg	<small>DATE ISSUED</small> 06/16/10	<small>SCALE</small> N.T.S.	<small>DRAWING NUMBER</small> S03532-1	<small>REV</small> 0	<small>SHEET</small> TITLE	
<small>COPYRIGHT ©2004 SOLVERE LLC, BELMONT, NC, USA. ALL RIGHTS RESERVED. DESIGNS ARE OF A PROPRIETARY NATURE AND SHALL NOT BE REPRODUCED.</small>							

SYMBOLS LEGEND:

	RESISTANCE TEMPERATURE DEVICE		NORMALLY OPEN CONTACT
	TERMINAL BLOCK		NORMALLY CLOSED CONTACT
	SOLENOID VALVE		PRESSURE SWITCH NORMALLY OPEN CONTACT
	PILOT LIGHT		FUSE
CR-1 	CONTROL RELAY		WIRED BY OTHERS (EXTERNAL TO PANEL)
	PUMP MOTOR		PANEL WIRING
			WIRING CONNECTION

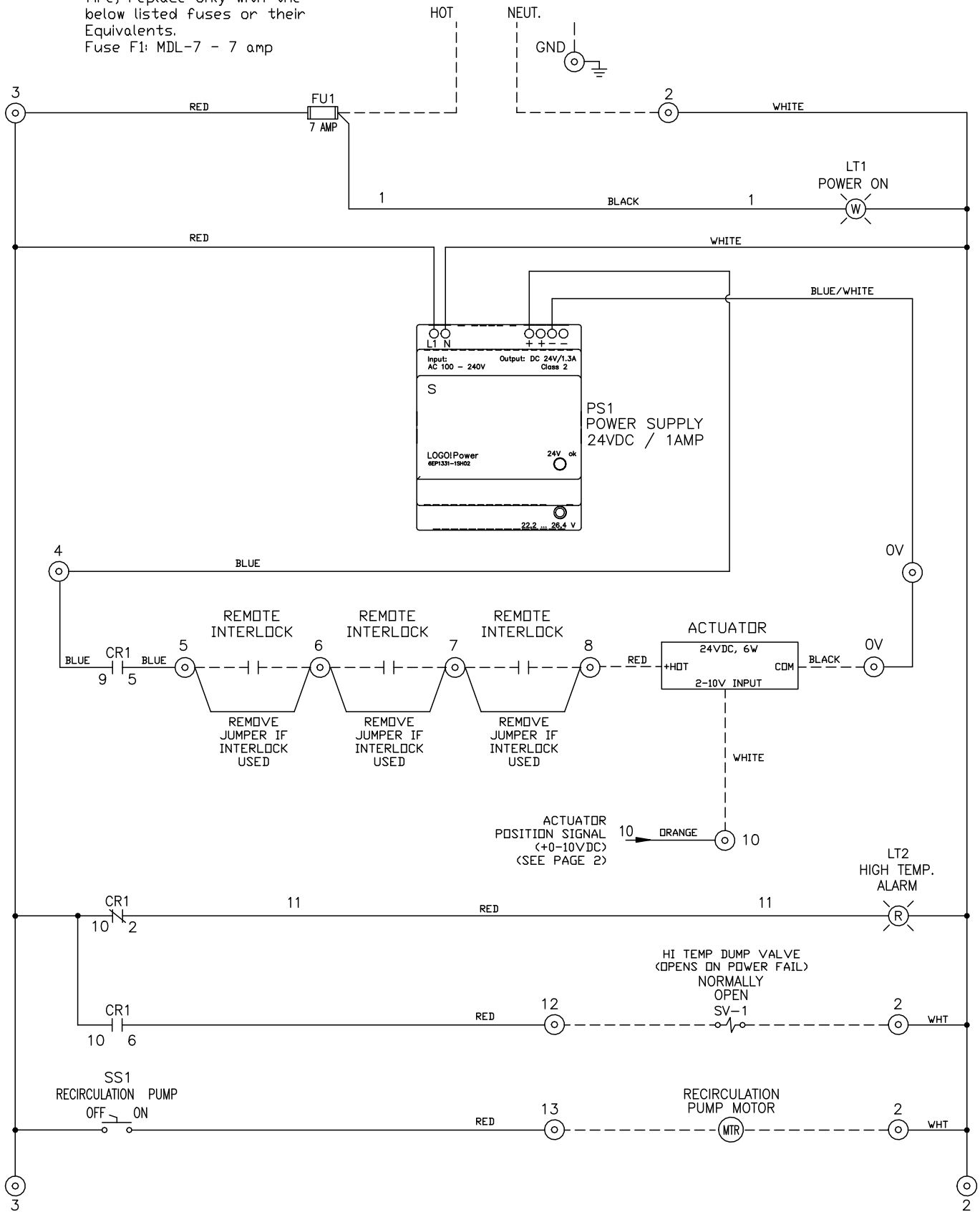
NOTES:

1. Panel wiring to be 18 AWG
Field wiring to be 14 GA THHN or larger.
2. Wire numbers are the same as terminal numbers except where noted.
3. Controller to be programmed such that the Alarm Switch opens on High Temperature.

	Since 1986	CHK'D BY AS	TITLE ThermaFlo Engineering Co.				
			DRAWN BY MWB	SUBTITLE Electrical Temp. & Pump Control Panel			
MANUFACTURERS of STEAM FIRED SPECIALTY EQUIPMENT		FILE NAME S03532-2.dwg	DATE ISSUED 06/14/10	SCALE N.T.S.	DRAWING NUMBER S03532-2	REV 0	SHEET SYMB
 DO NOT SCALE DRAWING	DRAWING TYPE ELECTRICAL SCHEMATICS		COPYRIGHT ©2004 SOLVERE LLC, BELMONT, NC, USA. ALL RIGHTS RESERVED. DESIGNS ARE OF A PROPRIETARY NATURE AND SHALL NOT BE REPRODUCED.				

WARNING: To reduce risk of fire, replace only with the below listed fuses or their Equivalents.
Fuse F1: MDL-7 - 7 amp

120VAC 1 Phase 60hz



THERMAFLO
ENGINEERING COMPANY

Since 1986

MANUFACTURERS of STEAM FIRED SPECIALTY EQUIPMENT

CHK'D BY

AS

DRAWN BY

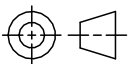
MWB

TITLE

**ThermaFlo
Engineering Co.**

SUBTITLE

**Electrical Temp.
& Pump Control Panel**



DO NOT
SCALE
DRAWING

FILE NAME S03532-3.dwg
DRAWING TYPE ELECTRICAL SCHEMATICS

DATE ISSUED
06/14/10

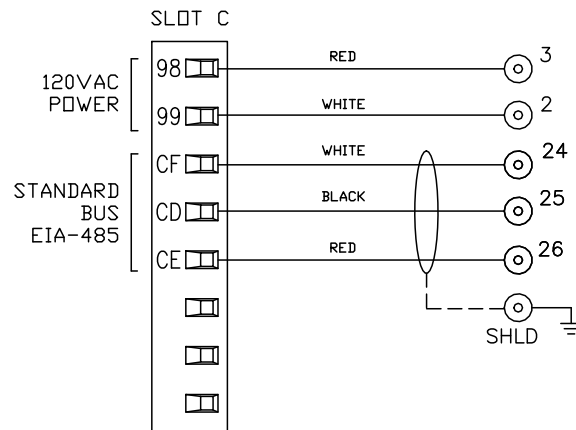
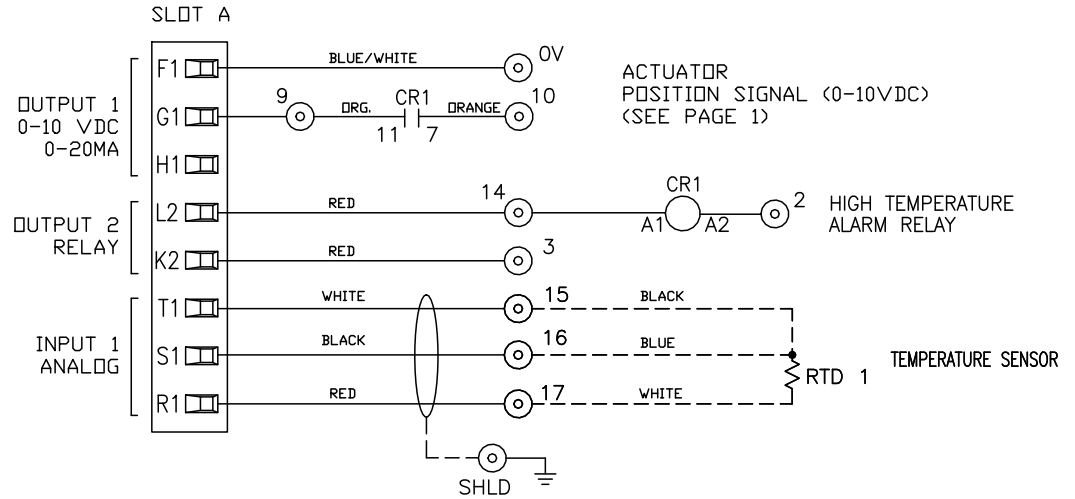
SCALE
N.T.S.

DRAWING NUMBER
S03532-3

REV
0

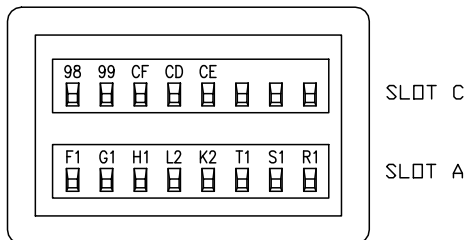
SHEET
3

WATLOW CONTROLLER PM3C1FJ-AAAAAAAA



CUSTOMER NOTE
FOR PROGRAMMING OF
WATLOW UNIT ONLY
NO EXTERNAL COMMS

WATLOW
CONTROLLER 1/32 DIN
SLOT LOCATIONS



THERMAFLO

ENGINEERING COMPANY

Since 1986

MANUFACTURERS of STEAM FIRED SPECIALTY EQUIPMENT

CHK'D BY

AS

DRAWN BY

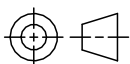
MWB

TITLE

**ThermaFlo
Engineering Co.**

SUBTITLE

**Electrical Temp.
& Pump Control Panel**



DO NOT
SCALE
DRAWING

FILE NAME S03532-4.dwg
DRAWING TYPE ELECTRICAL SCHEMATICS

DATE ISSUED
06/14/10

SCALE
N.T.S.

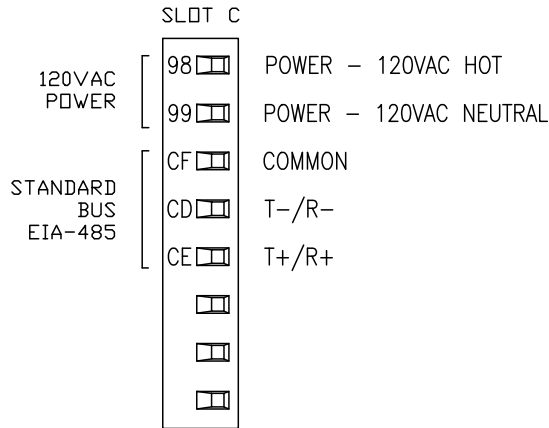
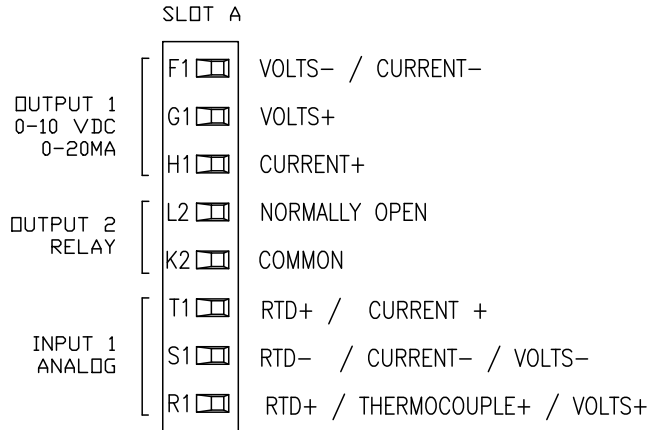
DRAWING NUMBER
S03532-4

REV
0

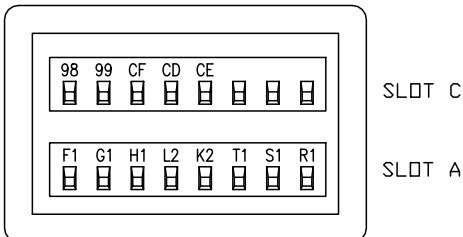
SHEET
4

WATLOW CONTROLLER PM3C1FJ-AAAAAAA

PIN DESCRIPTIONS



WATLOW
CONTROLLER 1/2 DIN
SLOT LOCATIONS



THERMAFLO

ENGINEERING COMPANY

Since 1986

MANUFACTURERS of STEAM FIRED SPECIALTY EQUIPMENT

CHK'D BY

AS

TITLE

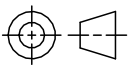
ThermaFlo
Engineering Co.

DRAWN BY

MWB

SUBTITLE

Electrical Temp.
& Pump Control Panel



DO NOT
SCALE
DRAWING

FILE NAME

S03532-5.dwg

DATE ISSUED

06/14/10

SCALE

N.T.S.

DRAWING NUMBER

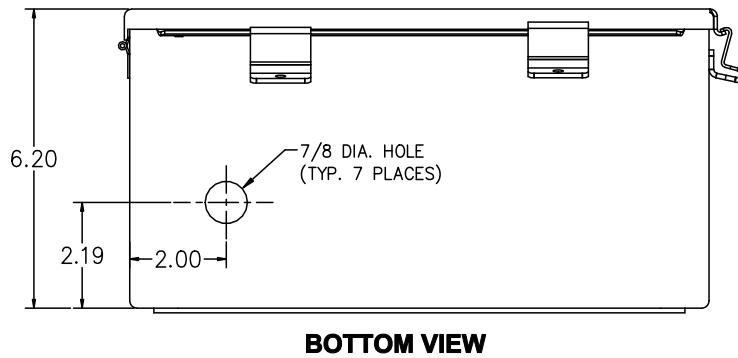
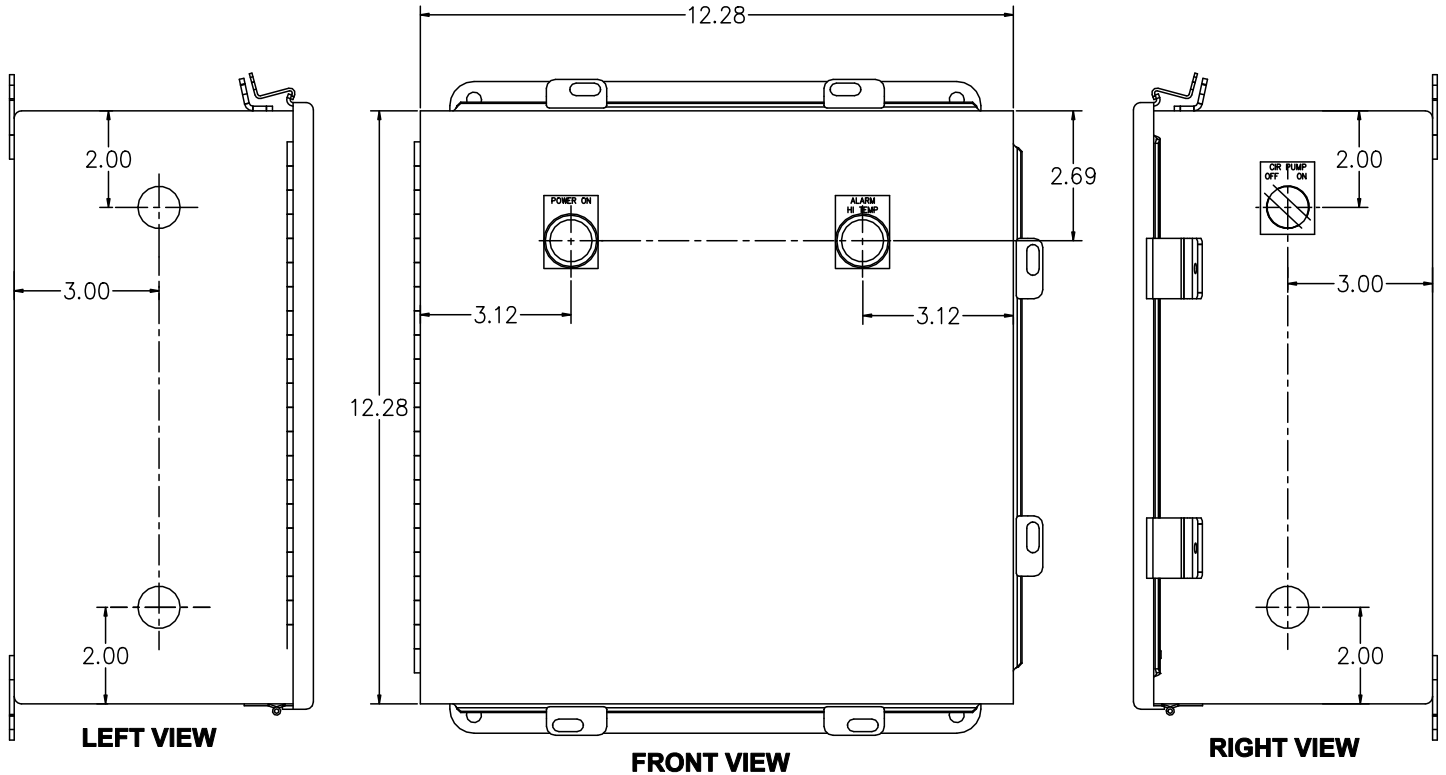
S03532-5

REV

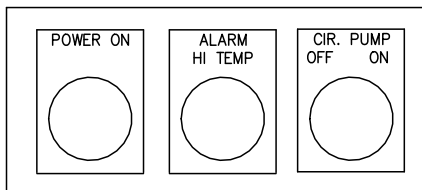
0

SHEET

5



LEGEND PLATES



THERMAFLO
ENGINEERING COMPANY

Since 1986

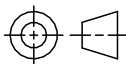
MANUFACTURERS of STEAM FIRED SPECIALTY EQUIPMENT

CHK'D BY
AS

DRAWN BY
MWB

TITLE
ThermaFlo Engineering Co.

SUBTITLE
Electrical Temp. & Pump Control Panel



DO NOT SCALE DRAWING

FILE NAME S03532-7.dwg
 DRAWING TYPE ELECTRICAL SCHEMATICS

DATE ISSUED
06/14/10

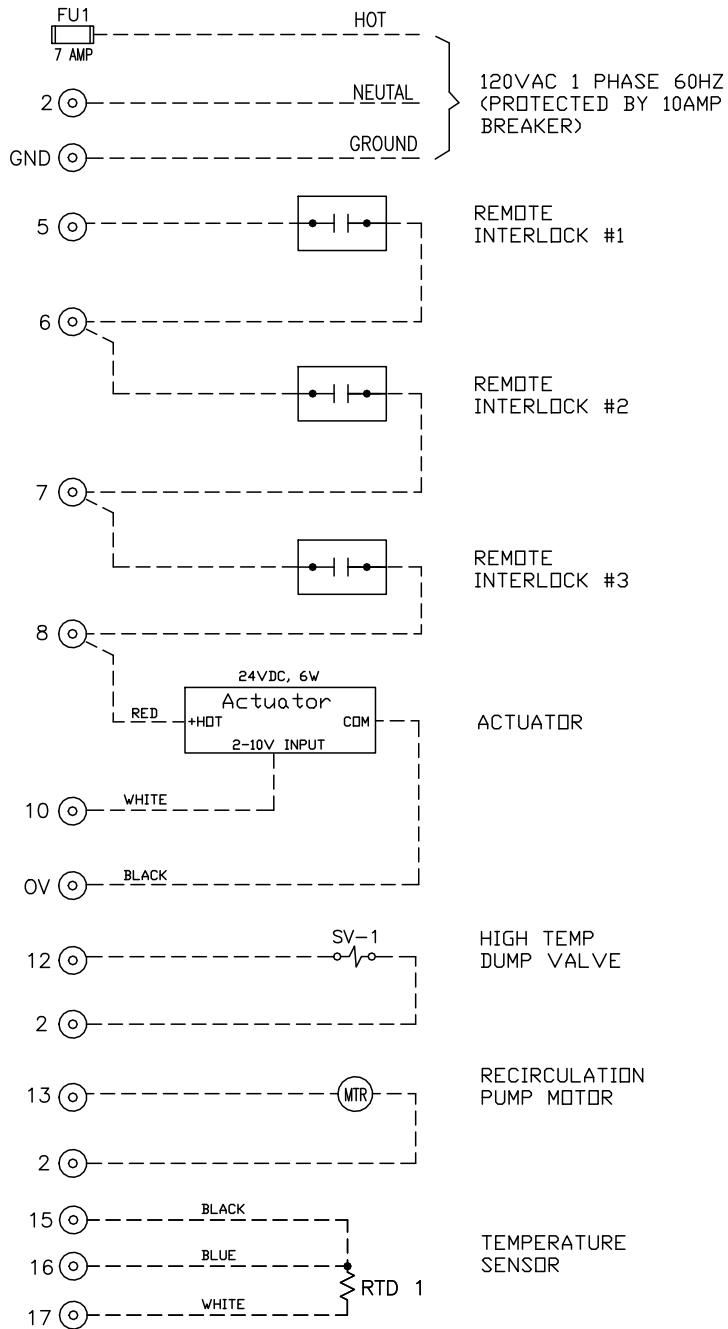
SCALE
N.T.S.

DRAWING NUMBER
S03532-7

REV
0

SHEET
7

CONTROL PANEL EXTERNAL CONNECTIONS



NOTE

⊙ CONTROL PANEL
 TERMINAL BLOCK SYMBOL

THERMAFLO
ENGINEERING COMPANY

Since 1986

MANUFACTURERS OF STEAM FIRED SPECIALTY EQUIPMENT

CHK'D BY

AS

DRAWN BY

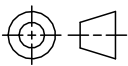
MWB

TITLE

**ThermaFlo
 Engineering Co.**

SUBTITLE

**Electrical Temp.
 & Pump Control Panel**



DO NOT
 SCALE
 DRAWING

FILE NAME S03532-8.dwg

DATE ISSUED

06/14/10

DRAWING TYPE
 ELECTRICAL SCHEMATICS

SCALE

N.T.S.

DRAWING NUMBER

S03532-8

REV

0

SHEET

8